

PHYSICS

CHEMISTRY
BIOLOGY

ENGINEERING



Furniture and equipment



LEYBOLD®



Contents

LeyLAB <i>aluline</i>	M0	2
- Students' benches, Laboratory benches, Functional benches		
LeyLAB <i>basic</i>	M1	20
- Students' benches, Laboratory benches, Functional benches		
Hanging lower cabinets, mobile container	M2	32
Standing laboratory and instructor's benches	M3	40
- Teacher places, wall workplaces and window workplaces		
Experiment stands, trolleys, media tables	M4	52
Cabinets	M5	58
Board arrangements	M6	72
Chairs	M7	80
-Power Supply systems 19" industrial standard	M8	84
-Leylab power		
-Leylab .net		
Annex		130
Floor plan, Project		

Laboratory furniture
& power supplies

Training systems

Training fields



Accessories

As full range supplier for science and technology, we consider when room planning the requirements for experimentation devices and the information technology periphery. By means of the curriculum and undertaking your wishes into account we develop your individually tailored room and equipment solution jointly. We are your competent partner from the first consultation via the concrete suggestion of a furnishing layout, and

clarification of details to the entire plan. We understand our trade. This ensures smooth production. However, we remain your contact in all training matters even after approval testing and customer orientation.



Room planning

- Individual laboratory planning
- Equipment with reference to practice
- Technical installations
- Setting up of service catalogues



Furniture

- Multi-functional laboratory furniture
- Individually furniture design for every application
- Well-matched furniture and devices
- German safety and quality requirements
- Long-term after-sales and supplementary guarantee

LeyLAB



Equipment

- High functionality and uniform design
- Novel multi-function tables with innovative electric power supplies and the latest PC technology for variable room utilization concepts
- Modular electrical power supply system for individual solutions using the 19" standard.

Laboratory furniture & power supplies

Training systems

Training fields

Accessories



The modular 19" system offers many options for integration of the power supply into the laboratory:

- Power supply in the channel module housing
- Power supply in the desktop housing
- Power supply in the high-level desktop housing
- Power supply, electrically lowerable
- Power supply as fold-away variant

LeyLAB



Desktop housing



High-level desktop housing



Channel-module-housing



Electrically lowerable racks



Fold-away racks

Application

Power supply units in 19" rack technology with 3 rack units (FU) are used at workplaces and laboratory places in industry and training. They are planned in particular with consideration to the requirements in electrical engineering / electronics. The power supplies form a reliable backbone for development, assembly, testing and practical experience.

Equipment

The electronic components deployed in the power supplies are characterized by the properties listed below:

- Clear overview on account of clear structuring of individual segments
- User friendly on account of ergonomically designed operating elements
- Multiple applications on account of their modular structure

The power supply system from LD Didactic was planned in conformity with the 19" industrial standard for rack systems. A large number of ready-to-connect racks facilitates the combination of energy supply units and experimental devices so that individual requirements can be taken into account. The front plates of all the devices are painted and printed using scratch-resistant paint.



The ideal storage
the rollable cable cart

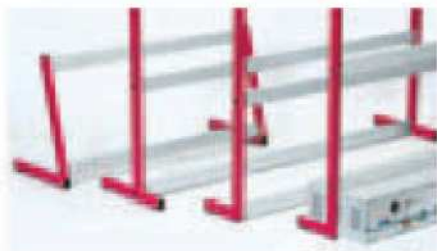
With the rollable
experimental frames
or experimental setups,
there are mobile
variants available for
demonstrations.

Laboratory furniture
& power supplies

Training systems

Training fields

Accessories



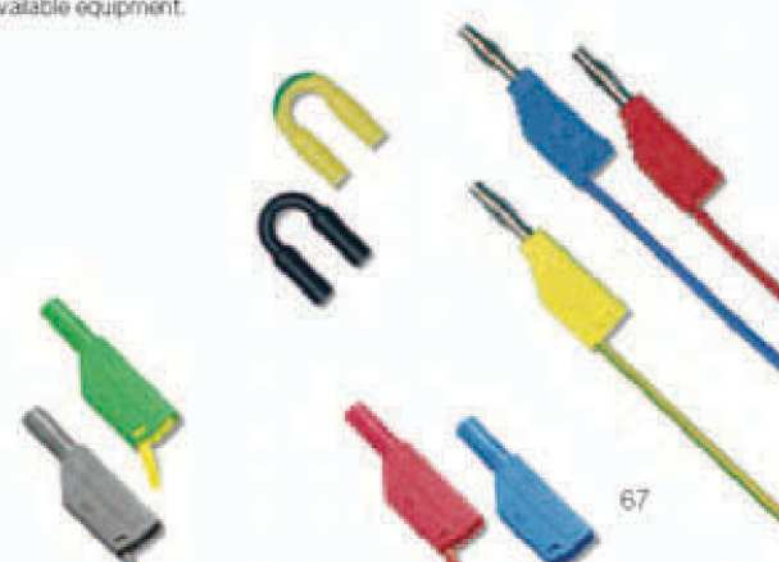
Cables, jumpers & more

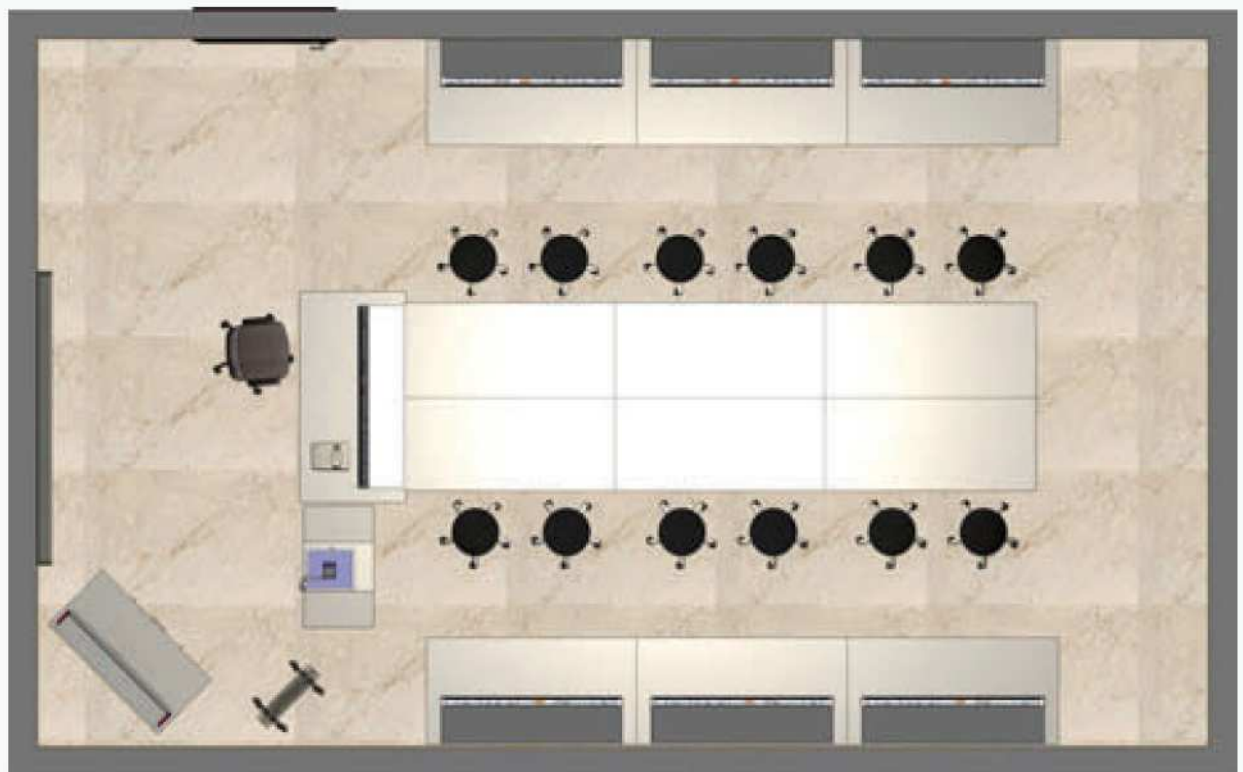
Our accessories are very comprehensive and include in addition to experimentation cables, connection plugs, adapters and anything required for use in the laboratory. The accessories can also be combined into sets to match the available equipment.

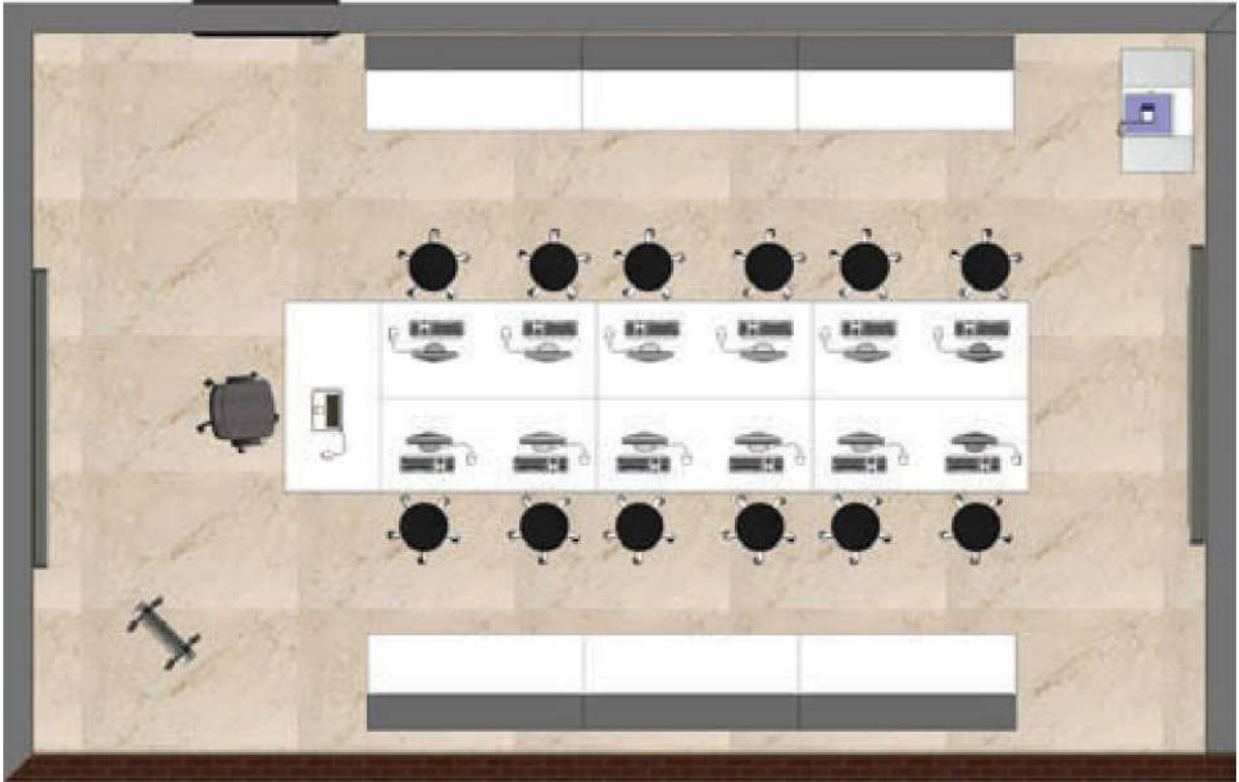
Frames

When teaching by demonstration or for laboratory experiments, transportable or permanently installed, our various profile frames provide many options:

- Angled frame
- Free-standing frame
- Frame for mounting on the table
- Frame for mounting above supply channels











LeyLAB *aluline*

STUDENTS' BENCHES, LABORATORY BENCHES,
FUNCTIONAL BENCHES



TABLE ALULINE

Table Aluline

Table top:

3-ply fine grain chip board, both sides coated with melamine resin, according to DIN 68765
scratch-resistant, heat-resistant
ABS edge band on all edges, 3 mm thick, impact-resistant
color: RAL 7035

Table frame:

sturdy construction, rectangular steel tubing 50 x 25 mm, cross-struts for connecting hanging cabinets
Table legs from aluminum profile 120 x 40 mm with integrated channels for energy and data cables
colour: Grey with iron flicker effect B703
Channel lid for energy and data cables
surface powder coated
colour: Raspberry red RAL 3027



Table Aluline / Channel

Table top:

3-ply fine grain chip board, both sides coated with melamine resin, according to DIN 68765
scratch-resistant, heat-resistant
ABS edge band on all edges, 3 mm thick, impact-resistant
Wooden channel, prepared to the admission of well-chosen 19" power supply systems
color: RAL 7035

Table frame:

sturdy construction, rectangular steel tubing 50 x 25 mm, cross-struts for connecting hanging cabinets
Table legs from aluminum profile 120 x 40 mm with integrated channels for energy and data cables
colour: Grey with iron flicker effect B703
Channel lid for energy and data cables
surface powder coated
colour: Raspberry red RAL 3027

Combination possibilities

- Hanging lower cabinets / mobile container Chapter M2
- Power supply systems 19", LeyLAB power Chapter M8

Accessories

- ground connection to feed the table
- table connector

Cat. No.:	Width (mm)	Depth (mm)	Height (mm)
850012	1200	800	750
850014	1600	800	750
850016	1800	800	750
850018	2000	800	750
850112	1200	900	750
850114	1600	900	750
850116	1800	900	750
850118	2000	900	750
850212	1200	1000	750
850214	1600	1000	750
850216	1800	1000	750
850218	2000	1000	750

Combination possibilities

- Hanging lower cabinets / mobile container Chapter M2
- Panel frame Chapter M0
- Cockpit housings 19" Chapter M0
- Power supply systems 19", LeyLAB power Chapter M8
- Schelbe construction, compartment shelves Chapter M0
- Light for cockpit Chapter M0
- Installation channel
- Cable bushing

Accessories

- ground connection to feed the table
- table connector

Cat. No.:	Width (mm)	Depth (mm)	Height (mm)
850062	1200	800	750
850064	1600	800	750
850066	1800	800	750
850068	2000	800	750
850162	1200	900	750
850164	1600	900	750
850166	1800	900	750
850168	2000	900	750
850262	1200	1000	750
850264	1600	1000	750
850266	1800	1000	750
850268	2000	1000	750





TABLE ALULINE WITH BENCH RACK

Table Aluline with bench rack

Table top:

- 3-ply fine grain chip board, both sides coated with melamine resin, according to DIN 68765
- scratch-resistant, heat-resistant
- ABS edge band on all edges, 3 mm thick, impact-resistant
- color: light-grey RAL 703

Table frame:

- sturdy construction, rectangular steel tubing 50 x 25 mm, cross-struts for connecting hanging cabinets
- Table legs from aluminum profile 120 x 40 mm with integrated channels for energy and data cables
- colour: Grey with iron flicker effect B703
- Channel lid for energy and data cables
- surface powder coated
- colour: Raspberry red RAL 3027

(Cockpit 1500 possible without a premium)

Cat. No.:	Width (mm)	Depth (mm)	Height (mm)
850032	1200	800	750/1800
850034	1600	800	750/1800
850036	1800	800	750/1800
850038	2000	800	750/1800
850132	1200	900	750/1800
850134	1600	900	750/1800
850136	1800	900	750/1800
850138	2000	900	750/1800
850232	1200	1000	750/1800
850234	1600	1000	750/1800
850236	1800	1000	750/1800
850238	2000	1000	750/1800



Table Aluline / Channel with bench rack

Table top:

- 3-ply fine grain chip board, both sides coated with melamine resin, according to DIN 68765
- scratch-resistant, heat-resistant
- ABS edge band on all edges, 3 mm thick, impact-resistant
- Wooden channel, prepared to the admission of well-chosen 19" power supply systems
- color: light-grey RAL 7035

Table frame:

- sturdy construction, rectangular steel tubing 50 x 25 mm, cross-struts for connecting hanging cabinets
- Table legs from aluminum profile 120 x 40 mm with integrated channels for energy and data cables
- colour: Grey with iron flicker effect B703
- Channel lid for energy and data cables
- surface powder coated
- colour: Raspberry red RAL 3027

(Cockpit 1500 possible without a premium)

Cat. No.:	Width (mm)	Depth (mm)	Height (mm)
850082	1200	800	750/1800
850084	1600	800	750/1800
850086	1800	800	750/1800
850088	2000	800	750/1800
850182	1200	900	750/1800
850184	1600	900	750/1800
850186	1800	900	750/1800
850188	2000	900	750/1800
850282	1200	1000	750/1800
850284	1600	1000	750/1800
850286	1800	1000	750/1800
850288	2000	1000	750/1800



Combination possibilities

- Hanging lower cabinets / mobile container Chapter M2
- Panel frame Chapter M0
- Cockpit housings 19" Chapter M0
- Power supply systems 19", LeyLAB power Chapter M8
- Schelbe construction, comparmten shelves Chapter M0
- Light for cockpit Chapter M0
- Installation chaanel
- Cable bushing

Accessories

- ground connection to feed the table
- table connector

COCKPIT STRUCTURE FOR 19"-POWER SUPPLY SYSTEMS

Bench rack Aluline

Cat. No.:	Bench rack Aluline	Width(mm)	Depth(mm)	Height (mm)
850502	Bench rack Aluline, 1200	1200	320	183
850507	Bench rack Aluline, 1600	1600	320	183
850512	Bench rack Aluline, 1800	1800	320	183
850517	Bench rack Aluline, 2000	2000	320	183



19"-Channel housing for bench rack Aluline

Cat. No.:	19"-Channel housing for Console	
725310	Channel housing 1200	(module insert width 203 TU) Equipped with 19" module
725311	Channel housing 1600	(module insert width 287 TU) Equipped with 19" module
725312	Channel housing 1800	(module insert width 322 TU) Equipped with 19" module
725313	Channel housing 2000	(module insert width 364 TU) Equipped with 19" module



Terminals

Cat. No.:	Socket / lamp terminal
850542	Socket /Lamp terminal 1200
850547	Socket /Lamp terminal 1600
850552	Socket /Lamp terminal 1800
850557	Socket /Lamp terminal 2000



Modules for terminal

Cat. No.:	modules for terminal
850572	Socket single 230V, 16A
850574	switch for light module
850582	Light module 14W
850584	Light module 21W
850586	Light module 28W
850588	Light module 35W



BENCH RACK 3HE *aluline*

850502

Bench rack Aluline 1200

- Bench rack, ready for mounting of channel housings to accommodate 19" devices with 3 height units.

Equipped with:

- 2 threaded inserts and guide rail for attaching panel frame or assembly grid to bench top console
- H: 185 mm, W: 1200 mm, D: 295 mm

850507

Bench rack Aluline 1600

- Bench rack, ready for mounting of channel housings to accommodate 19" devices with 3 height units.

Equipped with:

- 2 threaded inserts and guide rail for attaching panel frame or assembly grid to bench top console
- H: 185 mm, W: 1600 mm, D: 295 mm

850512

Bench rack Aluline 1800

- Bench rack, ready for mounting of channel housings to accommodate 19" devices with 3 height units.

Equipped with:

- 2 threaded inserts and guide rail for attaching panel frame or assembly grid to bench top console
- H: 185 mm, W: 1800 mm, D: 295 mm

850517

Bench rack Aluline 2000

- Bench rack, ready for mounting of channel housings to accommodate 19" devices with 3 height units.

Equipped with:

- 2 threaded inserts and guide rail for attaching panel frame or assembly grid to bench top console
- H: 185 mm, W: 2000 mm, D: 295 mm

CHANNEL HOUSING FOR CONSOLE *aluline*

725310

Channel housing for bench rack Aluline 1200

Channel housing for the bench rack Aluline 1200, for mounting of 19" devices with 3 height units; consisting of lacquered sheet-metal side walls; base and cover profiles made of aluminium.

Equipped with:

- 6 connection sockets, 5-pole for supply of maximum 6 x 19" devices
- available module insert width: 203 TU

725311

Channel housing for bench rack Aluline 1600

Channel housing for the bench rack Aluline 1600, for mounting of 19" devices with 3 height units; consisting of lacquered sheet-metal side walls, base and cover profiles made of aluminium.

Equipped with:

- 8 connection sockets, 5-pole, for supply of maximum 8 x 19" devices
- available module insert width: 287 TU

725312

Channel housing for bench rack Aluline 1800

Channel housing for the bench rack Aluline 1800 for mounting of 19" devices with 3 height units; consisting of lacquered sheet-metal side walls; base and cover profiles made of aluminium.

Equipped with:

- 9 connection sockets, 5-pole, for supply of maximum 9 x 19" devices
- available module insert width: 322 TU

725313

Channel housing for bench rack Aluline 2000

Channel housing for the bench rack Aluline 2000 for mounting of 19" devices with 3 height units; consisting of lacquered sheet-metal side walls; base and cover profiles made of aluminium.

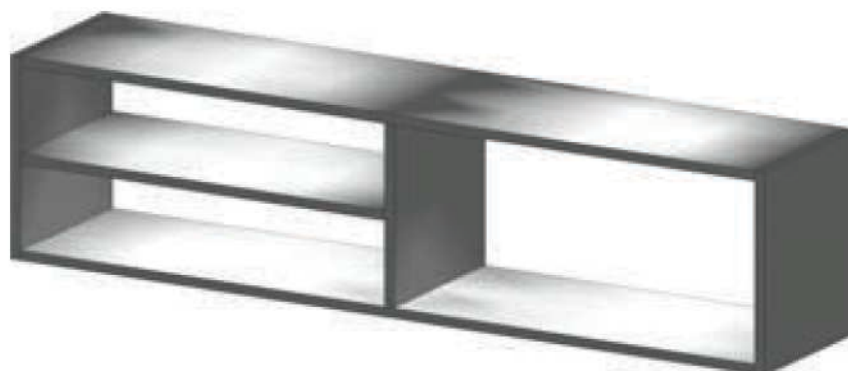
Equipped with:

- 10 connection sockets, 5-pole, for supply of maximum 10 x 19" devices
- available module insert width: 364 TU





SHELVE CONSTRUCTION ALULINE

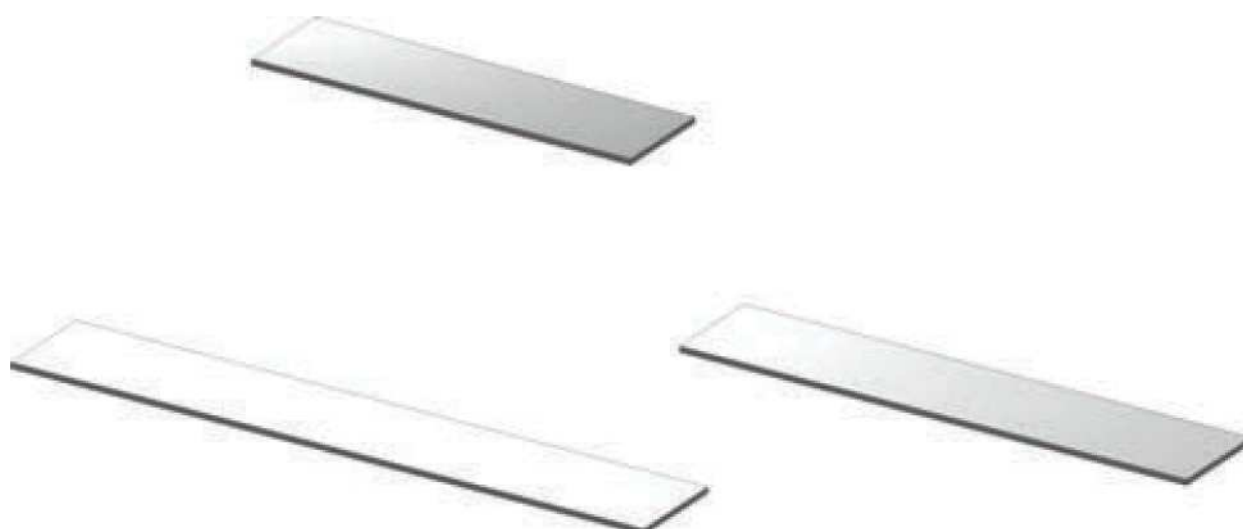


Shelve Aluline

Cat. No.:		Width (mm)	Depth (mm)	Height (mm)
850622	Shelve Aluline 1200	1116	320	370
850624	Shelve Aluline 1600	1516	320	370
850626	Shelve Aluline 1800	1716	320	370
850628	Shelve Aluline 2000	1916	320	370

Compartment shelves inclinable Aluline

Cat. No.:	
850712	Compartment shelf inclinable Aluline 1200
850714	Compartment shelf inclinable Aluline 1600
850716	Compartment shelf inclinable Aluline 1800
850718	Compartment shelf inclinable Aluline 2000

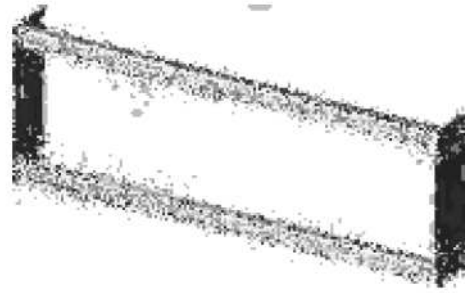


PANEL FRAME A4, ASSEMBLY GRIDS

Panel frame A4, one level

Cat. No.:

726270	Panel frame A4, one level, 1200
726271	Panel frame A4, one level, 1600
726272	Panel frame A4, one level, 1800
726273	Panel frame A4, one level, 2000



Panel frame A4, two level

Cat. No.:

726274	Panel frame A4, two level, 1200
726275	Panel frame A4, two level, 1600
726276	Panel frame A4, two level, 1800
726277	Panel frame A4, two level, 2000



Assembly grid AluLine

Cat. No.:

726279	Assembly grid AluLine 1200
726280	Assembly grid AluLine 1600
726281	Assembly grid AluLine 1800
726282	Assembly grid AluLine 2000

Accessories for assembly grid

Cat. No.:

726283	Assembly set for hang-up bolts (4 pcs.)
726284	Assembly set for unhinge protection (2 pcs.)



FOLDING BENCHES

Table Aluline, power supply unit foldaway

Table top:

3-ply fine grain chip board, both sides coated with melamine resin, according to DIN 68765 scratch-resistant, heat-resistant
 ABS edge band on all edges, 3 mm thick, impact-resistant
 electrically powered around 45° upwards hinged electricity supply channel, brush strips to the sealing, prepared to take up of 19" 3HE power supplies modules, Metal cover below the tabletop
 color: light-grey RAL 7035

Table frame:

sturdy construction, rectangular steel tubing
 50 x 30 x 2 mm, cross-struts for connecting hanging cabinets
 Table legs from aluminum profile 120 x 40 mm with integrated channels for energy and data cables
 colour: Grey with iron flicker effect B703
 Channel lid for energy and datacables
 surface powder coated
 colour: Raspberry red RAL 3027



Cat. No.:	module insert width (mm)	Width (mm)	Depth (mm)	Height (mm)
850916	294 PU	1800	900	750
850918	343 PU	2000	900	750



Cat. No.:	Width (mm)	Depth (mm)	Height (mm)
850401	800	800	750
850403	800	900	750
850405	800	1000	750
850411	900	900	750
850413	900	1000	750
850416	1000	1000	750



Table Aluline

Table top:

3-ply fine grain chip board, both sides coated with melamine resin, according to DIN 68765
scratch-resistant, heat-resistant
ABS edge band on all edges, 3 mm thick, impact-resistant
color: light-grey RAL 7035

Table frame:

sturdy construction, rectangular steel tubing 50 x 30 x 2 mm,
cross-struts for connecting hanging cabinets
Table legs from aluminum profile 120 x 40 mm
with integrated channels for energy and data cables
colour: Grey with iron flicker effect B703
Channel lid for energy and datacables
surface powder coated
colour: Raspberry red RAL 3027

Cat. No.:	Width (mm)	Depth (mm)
	800	800
	800	900
	800	1000

Corner panels

Table top:

3-ply fine grain chip board, both sides coated with melamine resin,
according to DIN 68765
scratch-resistant, heat-resistant
ABS edge band on all edges, 3 mm thick, impact-resistant
color: light-grey RAL 7035

Accessories for corner panels

Cat. No.:

Fastening set consisting of connection corners
and support base



MOBILE TROLLEYS, PROJECT CARRIAGES

Mobile trolleys Aluline

Table top:

3-ply fine grain chip board, both sides coated with melamine resin, according to DIN 68765

scratch-resistant, heat-resistant

ABS edge band on all edges, 3 mm thick, impact-resistant

color: RAL 7035

Table frame:

sturdy construction, rectangular steel tubing

50 x 30 x 2 mm, cross-struts for connecting hanging cabinets

Table legs from aluminum profile 120 x 40 mm

with integrated channels for energy and data cables

colour: Grey with iron flicker effect B703

Channel lid for energy and data cables surface powder coated

colour: Raspberry red RAL 3027



Cat. No.:	Width (mm)	Depth (mm)	Height (mm)
850431	500	800	750
850433	500	900	750
850435	500	1000	750
850441	1000	800	750
850443	1000	900	750
850445	1000	1000	750

Project carriages

Lower cabinet:

3-ply fine grain chip board, both sides coated with melamine resin, according to DIN 68765

scratch-resistant, heat-resistant

ABS edge band on all edges, 3 mm thick, impact-resistant

-color: RAL 7035

Table frame:

sturdy construction, rectangular steel tubing 50 x 30 x 2 mm,

cross-struts for connecting hanging cabinets

Table legs from aluminum profile 120 x 40 mm with integrated

channels for energy and data cables

colour: Grey with iron flicker effect B703

Channel lid for energy and data cables

surface powder coated

colour: Raspberry red RAL 3027



Cat. No.:	Width (mm)	Depth (mm)	Height (mm)
850471	800	800	750
850474	800	800	1650
726278	Panel frame A4, two level, 800		

Accessories for Project carriages

Grooved mat for mechatronic

Cat. No.:	Width (mm)	Depth (mm)	Height (mm)
Basepanel mechatronik	800	550	30

Channel housing 610

725106	610	228	133
--------	-----	-----	-----

(Module insert width 119 PU) equippable with 19" inserts





ALULINE P

Basic element Aluline

State column:

Aluminum profile 120 x 40 mm with channels for integrated energy and data lines

Surface: powder-coated

Color: Gray with iron cilium effect DB 703

Channel lid for energy and data lines

Surface: powder-coated

Color: Raspberry red RAL 3027

incl. base for the ground connection and level-compensatory max. height 2700 mm (please indicate height)

Cat. No.:	Basic element
850801	Basic element 2700 Aluline P
850802	Wall mountings
850803	Ceiling mountings
850812	Cross strut 1200



Accessories

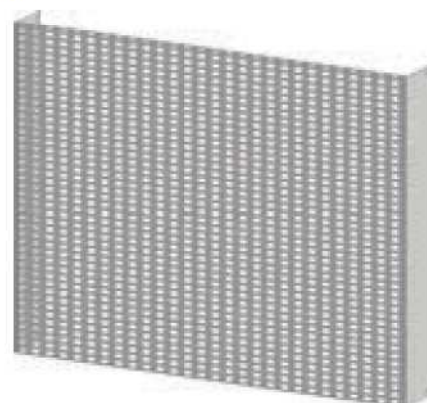
Cat. No.:	
850712	Compartment shelf, bendable, Aluline 1200
850822	Bench top (1120x650 mm)
850832	Lam. Tabletop (1120x650 mm)
850311	Hanging drawer, 2.5HU



Panel frames

Cat. No.:	
850722	Panel frame A4, one level, 1200
850734	Panel frame A4, two level, 1200
850742	Assembly grid Aluline 1200 (1120x730 mm)
850750	Assembly set for hang-up bolts (4 pcs.)
850751	Assembly set for unhinge protection (2 pcs.)

Assembly grid







ALULINE P

850800

Project carriages Aluline 1200

Underframe:

Stable steel tube frame from square tube with 4 swivel rollers, of it 2 noticeable

State column:

Aluminum profile 120 x 40 mm with channels for integrated energy and data lines

Surface: powder-coated

Color: Gray with iron cilium effect DB 703

Channel lid for energy and data lines

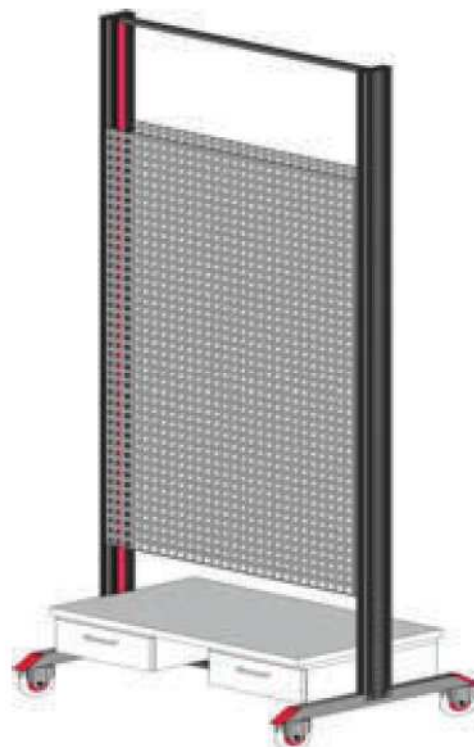
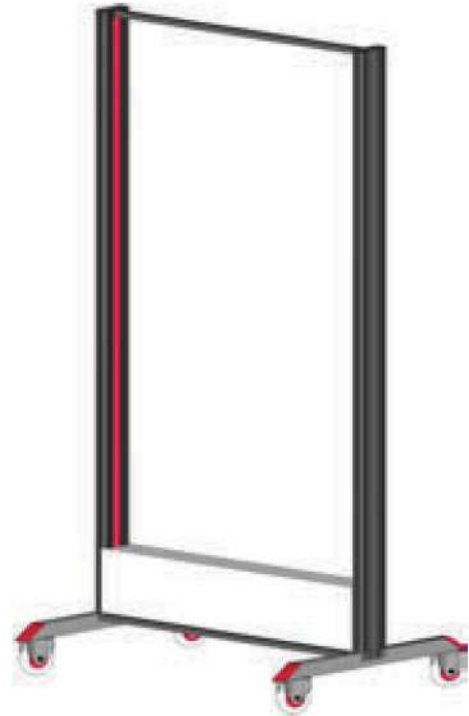
Surface: powder-coated

Color: Raspberry red RAL 3027

to pick up panel frames and assembly grids

Width: 1200 mm, Depth: 900 mm, Height: 1950 mm

Ideally for installation exercises

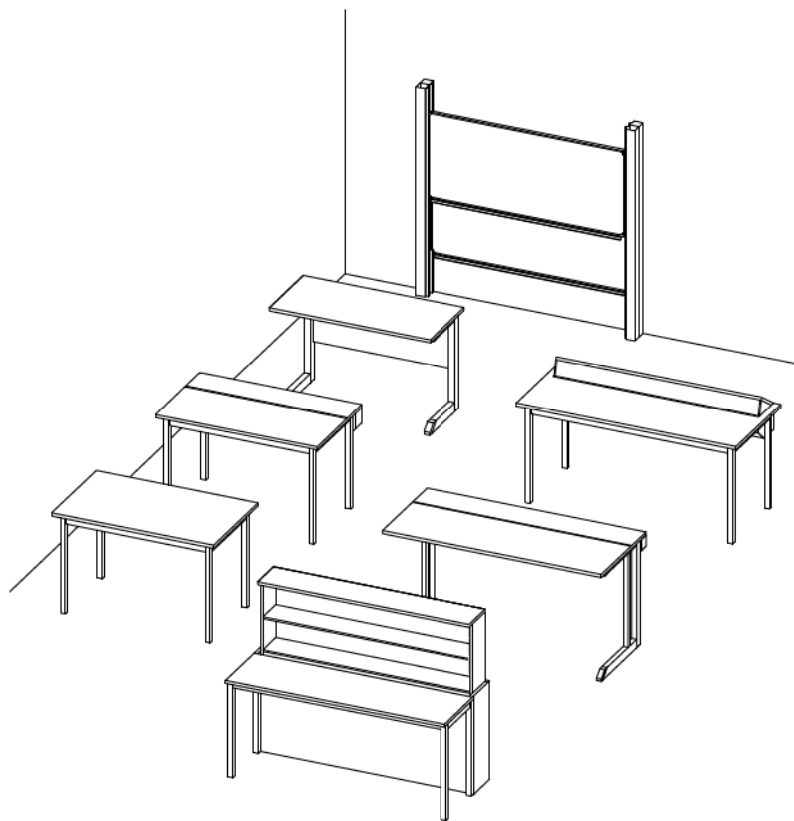






LeyLAB *basic*

STUDENTS' BENCHES, LABORATORY BENCHES,
FUNCTIONAL BENCHES



STUDENT BENCHES

Student benches C

Bench top:

3-ply fine grain chip board, both sides coated with melamine resin, according to DIN 68765
 scratch-resistant, heat-resistant
 ABS edge band on all edges, 3 mm thick, impact-resistant
 color: RAL 7035

Bench frame:

C-shaped side parts from rectangle steel tube 60 x 40 mm with plastic screen, plastic cover
 plastic protection caps for floor, height adjustable
 surface powder coated
 colour: Grey with iron flicker effect DB703
 Rear wall from 19 mm of fine chip board, 365 mm highly



Cat. No.:	Width (mm)	Depth (mm)	Height (mm)
851001	600	600	750
851002	1200	600	750
851003	1500	600	750
851004	1800	600	750

Student benches

Bench top:

3-ply fine grain chip board, both sides coated with melamine resin, according to DIN 68765
 scratch-resistant, heat-resistant
 ABS edge band on all edges, 3 mm thick, impact-resistant
 color: RAL 7035

Laboratory bench frame:

sturdy construction, rectangular steel tubing
 legs: 40 x 40 mm
 allround supporting frame: 50 x 25 mm
 plastic protection caps for floor, height adjustable
 surface powder coated
 colour: DB703



Cat. No.:	Width (mm)	Depth (mm)	Height (mm)
851011	600	600	750
851012	1200	600	750
851013	1500	600	750
851014	1800	600	750

LABORATORY BENCH, TRAPEZOID TABLE



Laboratory benches

Bench top:

3-ply fine grain chip board, both sides coated with melamine resin, according to DIN 68765

scratch-resistant, heat-resistant

ABS edge band on all edges, 3 mm thick, impact-resistant
color: RAL 7035

Laboratory bench frame:

sturdy construction, rectangular steel tubing

legs: 40 x 40 mm

allround supporting frame: 50 x 25 mm

plastic protection caps for floor, height adjustable

surface powder coated

colour: DB703

Combination possibilities

- Hanging lower cabinets / mobile container
- mobil

Chapter M2

Accessories

- ground connection to feed the table
- table connector

Cat. No.:	Width (mm)	Depth (mm)	Height (mm)
851201	800	800	750
851202	1600	800	750
851203	1800	800	750
851204	2000	800	750
851206	900	900	750
851207	1600	900	750
851208	1800	900	750
851209	2000	900	750
851211	1000	1000	750
851212	1600	1000	750
851213	1800	1000	750
851214	2000	1000	750



Trapezoid table

Bench top:

3-ply fine grain chip board, both sides coated with melamine resin, according to DIN 68765

scratch-resistant, heat-resistant

ABS edge band on all edges, 3 mm thick, impact-resistant
color: RAL 7035

Laboratory table frame:

sturdy construction, rectangular steel tubing

legs: 40 x 40 mm

allround supporting frame: 50 x 25 mm

plastic protection caps for floor, height adjustable

surface powder coated

colour: DB703

Cat. No.:	Width (mm)	Depth (mm)	Height (mm)
851250	1600	800	750

LABORATORY BENCHES BK FOR POWER SUPPLY AND PANEL FRAMES

Laboratory bench BK (for power supply and panel frames)

Bench top:

with 2 M8 threaded inserts for attaching panel frame or assembly grid or 3 HU channel module housing
 2 holes, 35 mm diameter, for channel wiring
 3-ply fine grain chip board, both sides coated with melamine resin, according to DIN 68765
 -scratch-resistant, heat-resistant
 ABS edge band on all edges, 2 mm thick, impact-resistant
 colour: RAL 7035

Laboratory bench frame:

sturdy construction, rectangular steel tubing
 legs: 40 x 40 x 2 mm
 allround supporting frame: 50 x 30 x 2 mm
 plastic protection caps for floor, height adjustable
 surface powder coated
 colour: DB703



Cat. No.:	Width (mm)	Depth (mm)	Height (mm)
851360	1600	800	750
851361	1800	800	750
851362	2000	800	750
851364	1600	900	750
851365	1800	900	750
851366	2000	900	750
851367	1600	1000	750
851368	1800	1000	750
851369	2000	1000	750

Combination possibilities

- Hanging lower cabinets / mobile container
- Panel frame A4
- Cockpit housings 19", LeyLAB power
- Gerätebord
- Installation channel
- Cable bushing
- mobile

Chapter M2
 Chapter M8
 Chapter M8
 Chapter M8
 8513891
 830163

Accessories

- ground connection to feed the table
- table connector





Computer table (with channel and flap)

Table top:

3-ply fine grain chip board, both sides coated with melamine resin, according to DIN 68765
scratch-resistant, heat-resistant
ABS edge band on all edges, 3 mm thick, impact-resistant
colour: RAL 7035

Troughing with flap, to open to the rear, over the entire table width, Brush border for sealing, prepared for the admission of supplying channels equips with 3HU employments with 2 cable holes right and left, to the connection of PC lower cabinet

Laboratory bench frame:

stable construction from square bar steel pipe
legs: 40 x 40 mm

allround supporting frame: 50 x 25mm

Tie bar for fastening lower cabinets

plastic protection caps for floor, height adjustable
surface powder coated

colour: Grey with iron flicker effect B703

Combination possibilities

- Hanging lower cabinets / mobile container
- mobile

Chapter M2

Accessories

- Ground connection to feed the table
- Table connector

Cat. No.:	Width (mm)	Depth (mm)	Height (mm)
851416	1600	800	750
851418	1800	800	750
851419	2000	800	750
851426	1600	900	750
851428	1800	900	750
851429	2000	900	750



BENCH RACK 3HE *basic***850811****Bench rack 1300**

Bench rack, ready for mounting of channel housings to accommodate 19" devices with 3 height units.

Equipped with:

2 threaded inserts and guide rail for attaching panel frame or assembly grid to bench top console
H: 183 mm, W: 1323 mm, D: 330 mm

858125**Bench rack 1600**

Bench rack, ready for mounting of channel housings to accommodate 19" devices with 3 height units.

Equipped with:

2 threaded inserts and guide rail for attaching panel frame or assembly grid to bench top console
H: 183 mm, W: 1600 mm, D: 330 mm

858131**Bench rack 1800**

Bench rack, ready for mounting of channel housings to accommodate 19" devices with 3 height units.

Equipped with:

2 threaded inserts and guide rail for attaching panel frame or assembly grid to bench top console
H: 183 mm, W: 1800 mm, D: 330 mm

858135**Bench rack 2000**

- Bench rack, ready for mounting of channel housings to accommodate 19" devices with 3 height units.

Equipped with:

2 threaded inserts and guide rail for attaching panel frame or assembly grid to bench top console
H: 183 mm, W: 2000 mm, D: 330 mm

CHANNEL HOUSING BENCH RACK *basic***725112****Channel housing for bench rack 1300**

Channel housing for the bench rack 1300 mounting of 19" devices with 3 height units; consisting of lacquered sheet-metal side walls; base and cover profiles made of aluminium.

Equipped with:

6 connection sockets, 5-pole for supply of maximum 6 x 19" devices
available module insert width: 203 TU

725126**Channel housing for bench rack 1600**

Channel housing for the bench rack 1600, for mounting of 19" devices with 3 height units; consisting of lacquered sheet-metal side walls, base and cover profiles made of aluminium.

Equipped with:

8 connection sockets, 5-pole, for supply of maximum 8 x 19" devices
available module insert width: 287 TU

725132**Channel housing for bench rack 1800**

Channel housing for the bench rack 1800 for mounting of 19" devices with 3 height units; consisting of lacquered sheet-metal side walls; base and cover profiles made of aluminium.

Equipped with:

9 connection sockets, 5-pole, for supply of maximum 9 x 19" devices
available module insert width: 322 TU

725136**Channel housing for bench rack 2000**

Channel housing for the bench rack 2000 for mounting of 19" devices with 3 height units; consisting of lacquered sheet-metal side walls; base and cover profiles made of aluminium.

Equipped with:

10 connection sockets, 5-pole, for supply of maximum 10 x 19" devices
available module insert width: 364 TU



LIFTING AND LOWERING SYSTEM 3 HU

Lifting and lowering benches 3HU with table

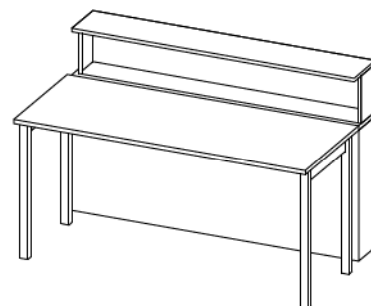
Lifting and lowering system for 19"-power supply system, consisting of:
 Motor driven lifting system with with one or two 3HU 19"-units for installation of 19"-standard power supplies, with safety stop and electronic overload protection
 Body from 19 mm 3-layer chip board, melamin coated according to DIN 68765, colour: light-gray RAL 7035

Table-top:

Body from 30 mm 3-layer chip board, melamin coated according to DIN 68765, scratch resistant, heat resistant
 3 mm ABS edge band, shock-resistant
 colour: light-gray RAL 7035

Table-frame:

robust steel rectangular tube 40 x 40 mm
 feet 40 x 40 mm
 circumferential frame 50 x 25 mm
 cross strut for fastening of cabinet
 adjustable feet
 powder coated surface
 colour: gray with iron flicker effect DB 703



Cat. No.:	Lifting and lowering system 3HU	W (mm)	D (mm)	H (mm)
851716	Available space: 273 PU, for table depth 650	1600	1000	750
851718	Available space: 315 PU, for table depth 650	1800	1000	750
851719	Available space: 357 PU, for table depth 650	2000	1000	750

Combination possibilities

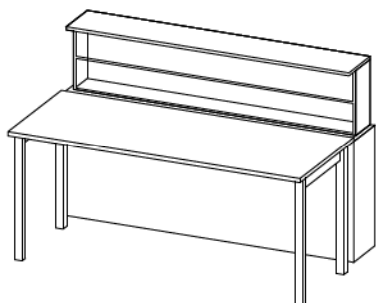
- Hanging lower cabinets / mobile container
- Power supply systems 19", LeyLAB power

Chapter M2
 Chapter M8

Accessories

- table connector

LIFTING AND LOWERING SYSTEM 2x3 HU

**Lifting and lowering system 2x3HU with table**

Lifting and lowering system for 19"-power supply system, consisting of:

Motor driven lifting system with with one or two 3HU 19"-units for installation of 19"-standard power supplies, with safety stop and electronic overload protection

Body from 19 mm 3-layer chip board, melamin coated according to DIN 68765, colour: light-gray RAL 7035

Bench-top:

Body from 30 mm 3-layer chip board, melamin coated according to DIN 68765, scratch resistant, heat resistant

3 mm ABS edge band, shock-resistant
colour: light-gray RAL 7035

Bench-frame:

robust steel rectangular tube 40 x 40 mm

feet 40 x 40 mm

circumferential frame 50 x 25 mm

cross strut for fastening of cabinet

adjustable feet

powder coated surface

colour: gray with iron flicker effect DB 703

Cat. No.:	Lifting and lowering system 2x3HU	W (mm)	D (mm)	H (mm)
851726	Available space: 2x273 PU, for table depth 650	1600	1000	750
851728	Available space: 2x315 PU for table depth 650	1800	1000	750
851729	Available space: 2x357 PU, for table depth 650	2000	1000	750

Combination possibilities

- Hanging lower cabinets / mobile container
- Power supply systems 19", LeyLAB power
- Panel frame A4

Chapter M2

Chapter M8

Chapter M8

Accessories

- table connector

FUNCTIONAL BENCHES WITH HINGED POWER SUPPLY

Laboratory bench, power supply unit foldaway

Bench-top:

30mm 3-layer chip board, melamin coated according to DIN 68765, scratch resistant, heat resistant
 3 mm ABS edge band, shock-resistant
 colour: light-gray RAL 7035
 electric powered around 45° upwards hinged electricity supply channel, brush strips to the sealing, prepares to take up of 19" 3HE power supplies modules, Metal cover below the tabletop

Bench-frame:

robust steel rectangular tube 40x40 mm
 feet 40 x40 mm
 circumferential frame 50 x 50 mm
 cross strut for fastening of cabinet
 adjustable feet
 powder coated surface
 colour: gray with iron flicker effect, DB 703



Combination possibilities

- Power supply systems 19", LeyLAB power Chapter M8
 - Panel frame A4 Chapter M8
 - Hanging lower cabinets / mobile container
- Chapter M2, only hanging lower cabinets for hinged power supply

Accessories

- ground connection to feed the table
- table connector

Cat. No.:	FB with hinged power supply	W (mm)	D (mm)	H (mm)
851663	Available space: 252 PU	1600	900	750
851664	Available space :294 PU	1800	900	750
851665	Available space: 343 PU	2000	900	750
851666	Available space: 252 PU	1600	1000	750
851668	Available space: 294 PU	1800	1000	750
851669	Available space: 343 PU	2000	1000	750

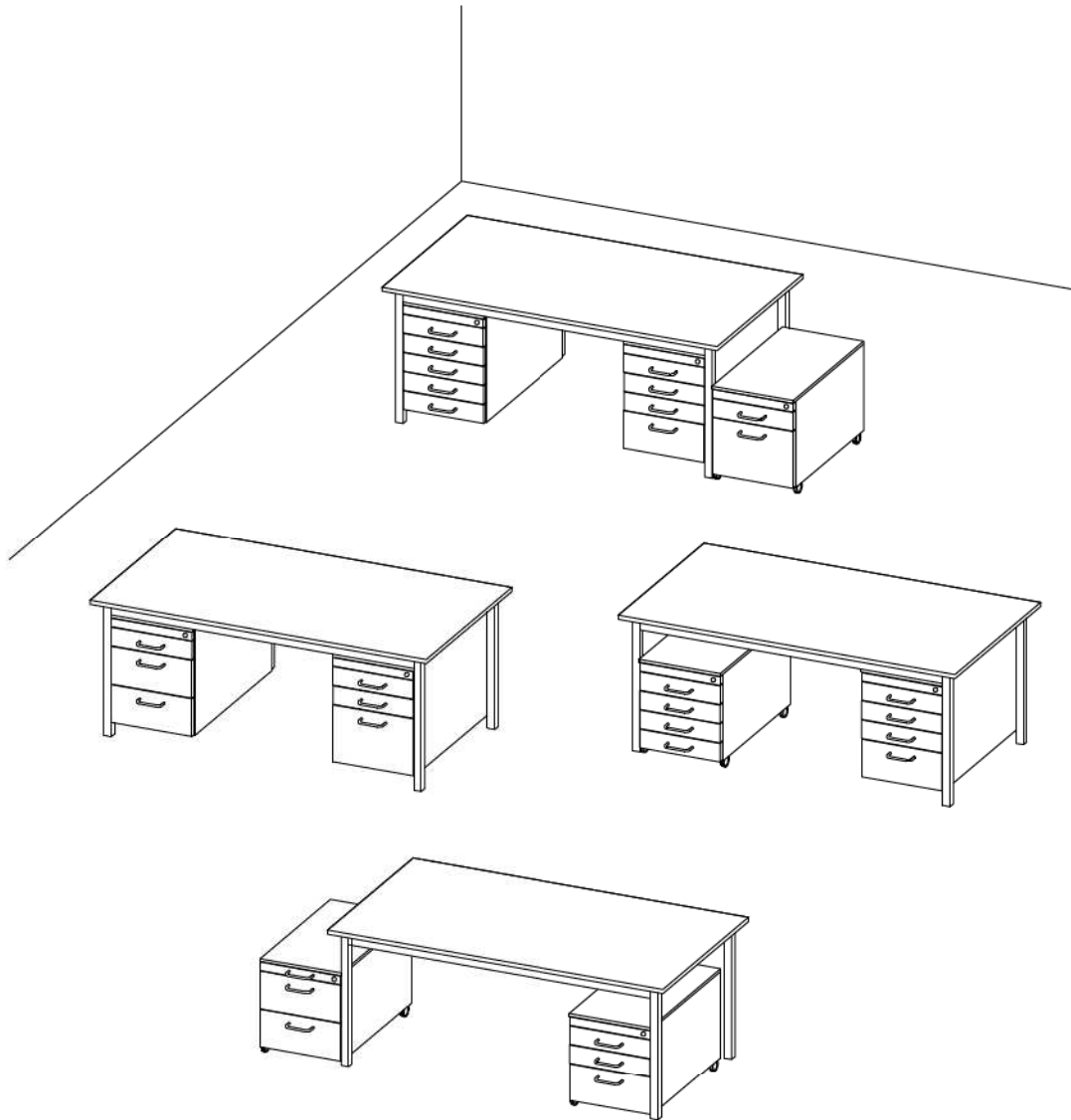




HANGING LOWER CABINETS, MOBILE CONTAINER



HANGING LOWER CABINETS, MOBILE CONTAINER



HANGING LOWER, 600 MM

sturdy wood casing of 19 mm 3-ply fine grain chip board according to DIN 68765, both sides coated with melamine resin
 ABS edge band on all edges, 3 mm thick
 colour: lightgrey RAL 7035

852301

Hanging lower cabinet, door left
 wing door, salient, left hinged
 Cylinder lock
 1shelf, 19 mm thick

Width: 430 mm
 Depth: 600 mm
 Height: 495 mm



852302

Hanging lower cabinet, door right
 wing door, salient, right hinged
 Cylinder lock
 1shelf, 19 mm thick

Width: 430 mm
 Depth: 600 mm
 Height: 495 mm



852303

Hanging lower cabinet, 4x2HU
 4 organization drawers, all plastic, height 2 HU
 designed with partition slots for practical organization of drawers
 4/5 pull-out length on rollers
 cylinder lock with central locking

Width: 430 mm
 Depth: 600 mm
 Height: 495 mm



852305

Hanging lower cabinet, 1x2HU, 1x6HU
 1 organization drawer, all plastic, height 2 HU
 1 organization drawer, all plastic, height 6 HU
 designed with partition slots for practical organization of drawers
 4/5 pull-out length on rollers
 cylinder lock with central locking

Width: 430 mm
 Depth: 600 mm
 Height: 495 mm



852306

Hanging lower cabinet, 1x2HU, 2x3HU
 1 organization drawer, all plastic, height 2 HU
 2 organization drawers, all plastic, height 3 HU
 designed with partition slots for practical organization of drawers
 4/5 pull-out length on rollers
 cylinder lock with central locking

Width: 430 mm
 Depth: 600 mm
 Height: 495 mm



852308

Hanging lower cabinet, 2.5HU
 1 organization drawer, all plastic, height 2.5 HU
 designed with partition slots for practical organization of drawers
 4/5 pull-out length on rollers
 cylinder lock with central locking

Width: 430 mm
 Depth: 600 mm
 Height: 155 mm





Width: 336 mm
Depth: 600 mm
Height: 495 mm

852311

Hanging lower cabinet, PC, door left

wing door, salient, left hinged
cylinder lock
Inside dimensions: 292 x 550 x 450 mm

Accessories:

RJ45 socket, surface mounting type and 2 Schuko sockets
2 Schuko sockets



Width: 336 mm
Depth: 600 mm
Height: 495 mm

852312

Hanging lower cabinet, PC, door right

wing door, salient, right hinged
cylinder lock
Inside dimensions: 292 x 550 x 450 mm

Accessories:

RJ45 socket, surface mounting type and 2 Schuko sockets
2 Schuko sockets



Width: 230 mm
Depth: 485 mm
Height: 500 mm

726285

PC bracket

From light-gray varnished steel metal, for the accommodation of a Tower case. To mount on the left or on the right.



HANGING LOWER FOR FUNCTIONAL BENCHES

852309

Hanging lower cabinet, door left for folding benches

wing door, salient, left hinged
cylinder lock
1shelf, 19 mm thick

Width: 430 mm
Depth: 480 mm
Height: 495 mm



852310

Hanging lower cabinet, door right for folding benches

wing door, salient, right hinged
cylinder lock
1shelf, 19 mm thick

Width: 430 mm
Depth: 480 mm
Height: 495 mm



HANGING LOWER CABINETS, MOBILE CONTAINER

EQUIPMENT VARIATIONS FOR HANGING LOWER CABINETS

852320

Additional shelf

852325

Socket, surface mounting type, with RJ-45 and outlet 2- fold for PC lower cabinet

852326

outlet 2- fold for PC lower cabinet



MOBILE CONTAINER

sturdy wood casing of 19 mm 3-ply fine grain chip board according to DIN 68765, both sides coated with melamine resin
 ABS edge band on all edges, 3 mm thick
 4 swivel rollers, 2 of them can be locked
 colour: lightgrey RAL 7035

852361

Mobile container, door left
 wing door, salient, left hinged
 cylinder lock
 1shelf, 19 mm thick

Width: 430 mm
 Depth: 600 mm



852362

Mobile container 760, door right
 wing door, salient, right hinged
 cylinder lock
 1shelf, 19 mm thick

Width: 430 mm
 Depth: 600 mm



852363

Mobile container 760, 5x2HU
 5 organization drawers, all plastic, height 2 HU
 designed with partition slots for practical organization
 of drawers
 4/5 pull-out length on rollers
 cylinder lock with central locking

Width: 430 mm
 Depth: 600 mm



852364

Mobile container 760, 1x2HU, 2x4HU
 1 organization drawer, all plastic, height 2 HU
 2 organization drawers, all plastic, height 4 HU
 designed with partition slots for practical organization
 of drawers
 4/5 pull-out length on rollers

Width: 430 mm
 Depth: 600 mm



852366

Mobile container 760, 2x2HU, 2x3HU
 2 organization drawers, all plastic, height 2 HU
 2 organization drawers, all plastic, height 3 HU
 designed with partition slots for practical organization of
 drawers
 4/5 pull-out length on rollers
 cylinder lock with central locking

Width: 430 mm
 Depth: 600 mm



852391

Across division

852392

Division in the length A5

852393

Division in the length A6

852394

A4 Slope frame 330

852395

A4 Slope frame 500

852396

Material bowl with division

852397

Application bowl with professional division

852398

Sloping filing





STANDING LABORATORY AND INSTRUCTOR'S BENCHES



STANDING LABORATORY AND INSTRUCTOR'S BENCHES

-Teacher places, wall workplaces and window workplaces

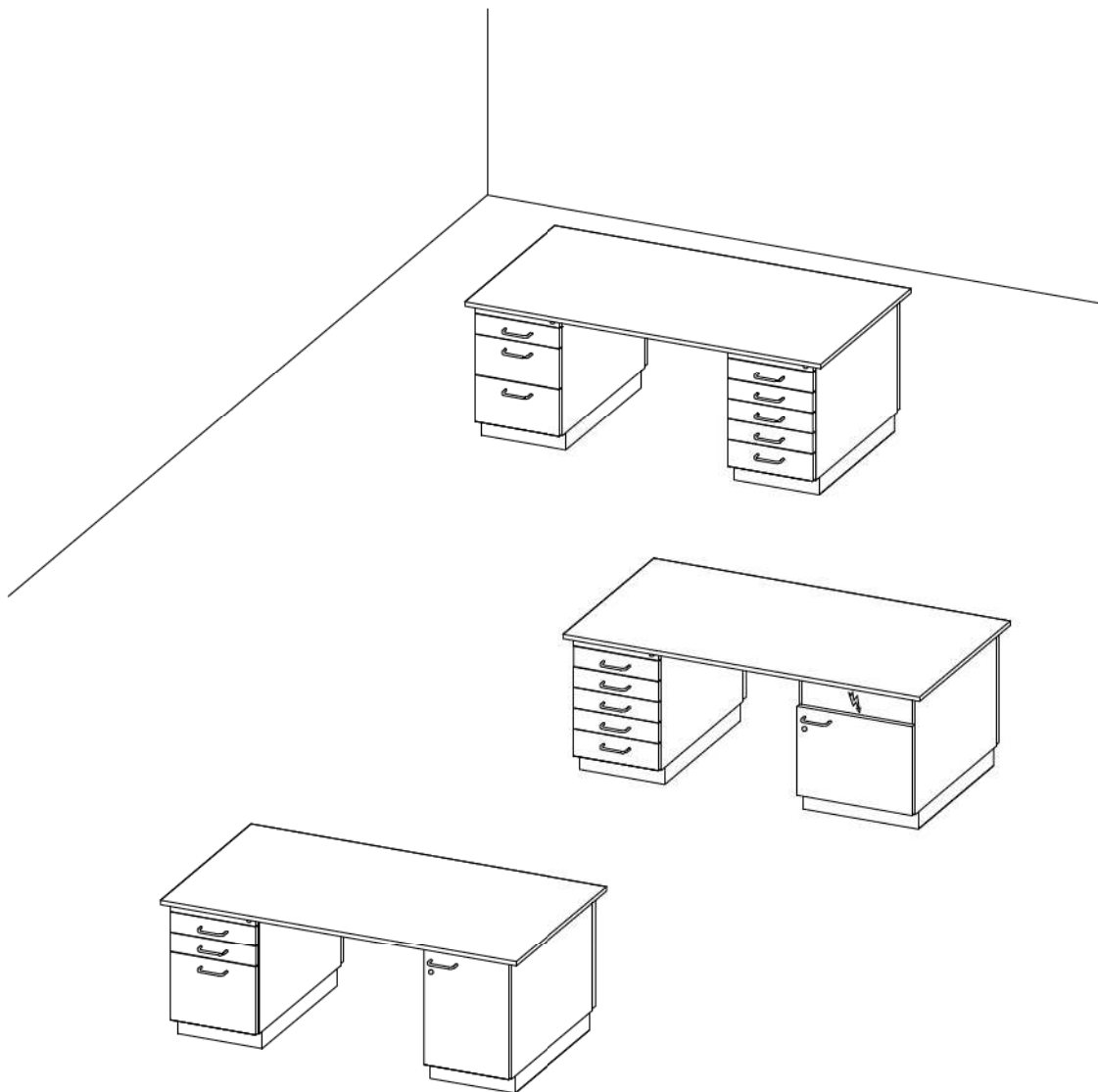


TABLE TOP



Table top

Table top melamine:

3-ply fine grain chip board, both sides coated with melamine resin, according to DIN 68765
 scratch-resistant, heat-resistant
 ABS edge band on all edges, 3 mm thick, impact-resistant
 color: lightgrey RAL 7035

Cat. No.:	Width (mm)	Depth (mm)	Height (mm)
853063	1600	850	30
853065	1800	850	30
853067	2000	850	30
853073	1600	950	30
853075	1800	950	30
853077	2000	950	30

Multiplex top- beech (available on request)





UNDER BENCH CABINETS 750 MM

sturdy wood casing of 19 mm 3-ply fine grain chip board according to DIN 68765, both sides coated with melamine resin
ABS edge band on all edges, 3 mm thick
colour: lightgrey RAL 7035

853201

Under bench cabinet, door left

wing door, salient, left hinged
Metal safety lock
1shelf, 19 mm thick
incl. base cover

Width: 450 mm
Depth: 750 mm
Height: 720 mm



853202

Under bench cabinet, door right

wing door, salient, left hinged
Metal safety lock
1shelf, 19 mm thick
incl. base cover

Width: 450 mm
Depth: 750 mm
Height: 720 mm



853203

Under bench cabinet, 4x2HU, 1x3HU

4 organization drawers, all plastic, height 2 HU
1 organization drawer, all plastic, height 3 HU
designed with partition slots for practical organization of drawers
4/5 pull-out length on rollers
cylinder lock with central locking
incl. base cover

Width: 450 mm
Depth: 750 mm
Height: 720 mm



853204

Under bench cabinet, 1x2HU, 3x3HU

1 organization drawer, all plastic, height 2 HU
3 organization drawers, all plastic, height 3 HU
designed with partition slots for practical organization of drawers
4/5 pull-out length on rollers
cylinder lock with central locking
incl. base cover

Width: 450 mm
Depth: 750 mm
Height: 720 mm



853205

Under bench cabinet 700, 1x2HU, 1x3HU, 1x6HU

1 organization drawer, all plastic, height 2 HU
1 organization drawer, all plastic, height 3 HU
1 organization drawer, all plastic, height 6 HU
designed with partition slots for practical organization of drawers
4/5 pull-out length on rollers
cylinder lock with central locking
incl. base cover

Width: 450 mm
Depth: 750 mm
Height: 720 mm



UNDER BENCH CABINETS 750 MM



Width: 600 mm
 Depth: 750 mm
 Height: 720 mm

853207

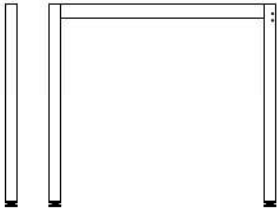
Under bench cabinet, sub-distributor, door left
 wing door, salient, left hinged
 Metal safety lock
 standing
 prepared to set up a room-subdistribution
 incl. base cover



Width: 600 mm
 Depth: 750 mm
 Height: 720 mm

853208

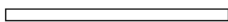
Under bench cabinet, sub-distributor, door right
 wing door, salient, left hinged
 Metal safety lock
 standing
 prepared to set up a room-subdistribution
 incl. base cover



Width: 40 mm
 Depth: 750 mm
 Height: 720 mm

853217

Pedestal frame 40x750x720



Width: 390 mm
 Depth: 680 mm
 Height: 19 mm

853218

Compartment shelf for Under bench cabinet 750,
 door left/right

PC- UNDER BENCH CABINETS

853211

Under bench cabinet 750, PC, door left

wing door, salient, left hinged
cylinder lock
1shelf, 19 mm thick
incl. base cover

Accessories:

RJ45 socket, surface mounting type and 2 Schuko sockets
2 Schuko sockets

Width: 450 mm
Depth: 750 mm
Height: 720 mm



853213

Under bench cabinet 750, PC, door right

wing door, salient, left hinged
cylinder lock
1shelf, 19 mm thick
incl. base cover

Accessories:

RJ45 socket, surface mounting type and 2 Schuko sockets
2 Schuko sockets

Width: 450 mm
Depth: 750 mm
Height: 720 mm



853215

Under bench cabinet 750, Printer, door left

wing door, right hinged
1 shelf, 19 mm thick
1 roller drawer, 19 mm thick
cylinder lock
incl. base cover



sturdy wood casing of 19 mm 3-ply fine grain chip board according to DIN 68765, both sides coated with melamine resin
 ABS edge band on all edges, 3 mm thick
 colour: lightgrey RAL 7035



Width: 450 mm
 Depth: 850 mm
 Height: 720 mm

853221

Under bench cabinet, door left

wing door, salient, left hinged
 Metal safety lock
 1shelf, 19 mm thick
 incl. base cover



Width: 450 mm
 Depth: 850 mm
 Height: 720 mm

853222

Under bench cabinet, door right

wing door, salient, left hinged
 Metal safety lock
 1shelf, 19 mm thick
 incl. base cover



Width: 450 mm
 Depth: 850 mm
 Height: 720 mm

853223

Under bench cabinet, 4x2HU, 1x3HU

4 organization drawers, all plastic, height 2 HU
 1 organization drawer, all plastic, height 3 HU
 designed with partition slots for practical organization of drawers
 4/5 pull-out length on rollers
 cylinder lock with central locking
 incl. base cover



Width: 450 mm
 Depth: 850 mm
 Height: 720 mm

853224

Under bench cabinet, 2x2HU, 1x3HU, 1x4HU

2 organization drawers, all plastic, height 2 HU
 1 organization drawer, all plastic, height 3 HU
 1 organization drawer, all plastic, height 4 HU
 designed with partition slots for practical organization of drawers
 4/5 pull-out length on rollers
 cylinder lock with central locking
 incl. base cover



Width: 450 mm
 Depth: 850 mm
 Height: 720 mm

853225

Under bench cabinet, 2x2HU, 1x7HU

2 organization drawers, all plastic, height 2 HU
 1 organization drawer, all plastic, height 7 HU
 designed with partition slots for practical organization of drawers
 4/5 pull-out length on rollers
 cylinder lock with central locking
 incl. base cover

UNDER BENCH CABINETS 850 MM

853227

Under bench cabinet, sub-distributor, door left

wing door, salient, left hinged
Metal safety lock
standing
prepared to set up a room-subdistribution
incl. base cover

Width: 600 mm
Depth: 850 mm
Height: 720 mm



853228

Under bench cabinet, sub-distributor, door right

wing door, salient, left hinged
Metal safety lock
standing
prepared to set up a room-subdistribution
incl. base cover

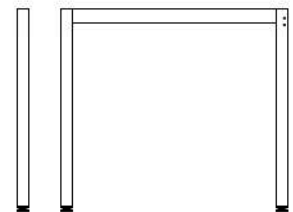
Width: 600 mm
Depth: 850 mm
Height: 720 mm



853237

Pedestal frame 40x850x720

Width: 40 mm
Depth: 850 mm
Height: 720 mm



853238

Compartment shelf for Under bench cabinet 850,
door left/right

Width: 390 mm
Depth: 780 mm
Height: 19 mm





Breite: 450 mm
Tiefe: 850 mm
Höhe: 720 mm

853231

Under bench cabinet, PC, door left

wing door, salient, left hinged
1shelf, 19 mm thick
cylinder lock
incl. base cover

Accessories:

RJ45 socket, surface mounting type and 2 Schuko sockets
2 Schuko sockets



Breite: 450 mm
Tiefe: 850 mm
Höhe: 720 mm

853233

Under bench cabinet, PC, door right

wing door, salient, left hinged
1shelf, 19 mm thick
cylinder lock
incl. base cover

Accessories:

RJ45 socket, surface mounting type and 2 Schuko sockets
2 Schuko sockets



853235

Under bench cabinet, Printer, door left

Glass wing door, right hinged
1 shelf, 19 mm thick
1 roller drawer, 19 mm thick
cylinder lock
incl. base cover

ELECTRICAL SUB-DISTRIBUTOR

853902	Electro armature, key switch power outlet, teacher's net
853903	Electro armature, key switch power outlet, student's net
853908	Electro armature, double switch power outlet, teacher's Network
853909	Electro armature, double switch power outlet, student's Network
853921	Electro armature, emergency pushbutton
853915	Electro armature, protection socket
853916	Electro armature, protection socket, double
853923	Electric armature, CEE socket
853950	Control console 12 tables foldaway
853991	Safety device B16
853992	Safety device C16
853994	Safety device C16 / 3
853995	Fault current circuit breaker 40/0,03 A
853996	Fault current circuit breaker 25/0,03 A
853997	Over voltage protection for Room Sub- distribution
853998	Main switch 63 A

Example configuration

for an electro Sub- distribution for 6 table groups, to a teacher table and 12 PCs workplaces, consisting of:

number	Cat. No.:	Discription
1	853207	Under bench cabinet Room Sub- distribution, door left
1	853902	key switch power outlet, teacher's net
1	853921	emergency pushbutton
7	853991	1x Net teacherr 6x Net students
1	853909	switch power Net EDV, student's without RCD
3	853992	1x EDV teacher, 2x EDV students



853150	Table top , worktable 1200 mm, ABS- edge
853151	Table top , worktable 1500 mm, ABS- edge
853152	Table top , worktable 1800 mm, ABS- edge
853153	Table top , worktable 2400 mm, ABS- edge
853300	Under bench cabinet, worktable 450 door left, back panel fixed
853320	Under bench cabinet, worktable 600 door left, back panel fixed
853301	Under bench cabinet, worktable 450 door right, back panel fixed
853321	Under bench cabinet, worktable 600 door right, back panel fixed
853302	Under bench cabinet, worktable 450 drawer, door left, back panel fixed
853322	Under bench cabinet, worktable 600 drawer, door left, back panel fixed
853303	Under bench cabinet, worktable 450 drawer, door right, back panel fixed
853323	Under bench cabinet, worktable 600 drawer, door right, back panel fixed
853304	Under bench cabinet, worktable 450 drawer, back panel fixed
853324	Under bench cabinet, worktable 600 drawer, back panel fixed
853305	Under bench cabinet, worktable 450 drawer, central locking, back panel fixed
853325	Under bench cabinet, worktable 600 drawer, central locking, back panel fixed
853308	Under bench cabinet, worktable 430, drawer, with file holder rack
853309	Under bench cabinet, worktable 430, drawer, with file holder rack and central locking
853326	Under bench cabinet, worktable for Computer, door left
853327	Under bench cabinet, worktable for Computer, door right
853336	Under bench cabinet, worktable 900, back panel firmly
853337	Under bench cabinet, worktable 1200, back panel firmly
853401	Insert file holder rack
853402	Drawer insert 450, 3-fold partitioning
853403	Drawer insert 450, 6-fold partitioning
853404	Drawer insert 600, 5-fold partitioning
853405	Drawer insert 600, 7-fold partitioning





EXPERIMENT STANDS, TROLLEYS, MEDIA TABLES



EXPERIMENT STANDS, TROLLEYS, MEDIA TABLES

Trolley

Layer of plastic with ABS edge 3 mm,
 Frame from steel profile pipe 60 x 40 x 3 mm, pulverized,
 Subsoil from 3-ply fine grain chip board, 19 mm,
 4 castors, 2 of them can be locked



Cat. No.:	Width (mm)	Depth (mm)	Height (mm)
854851	800	600	750
854852	800	1000	750
854854	900	600	750
854855	900	1000	750
854857	1000	600	750
854858	1000	1000	750

Trolley for video-Projector

Dimensions: 1000 x 600 mm, height 900 mm,
 frame 60 x 40 x 3 mm, pulverized with an intermediate bottom, 2
 places of panels on the left and on the right arranged, layer plastic
 with running around ABS edge 3 mm, panel for projector height-
 adjustable, 4 castors, 2 of them can be locked



Cat. No.:	Width (mm)	Depth (mm)	Height (mm)
854890	600	1000	900

PC-station, mobile

Dimension: 728 x 501 mm; consisting of 3 filing for
 the device installation, whole height: 1.106 mm, height to upper
 deposit: 1000 mm, rack from oval tube 50 x 20 x 2 mm, tube ends
 with plastic caps closed, filing grounds with cable passages from
 synthetic-coated chip board, 19 mm, lower filing ground with
 adjustable holder for tower, front view screen and cable protection
 from steel metal pulverized, 4 castors, 2 of them can be locked.



Cat. No.:	Width (mm)	Depth (mm)	Height (mm)
854895	501	728	1106

MOBILE CABLE HOLDER; EXPERIMENT STANDS



Mobile cable holder

For the organized, space-saving and mobile suspension of experiment cables. Two additional side receptacles for thicker cables (e.g. power cable, PC connecting cable, ...). Material: rectangular steel, powder coated in DB gray; four light-weight casters; cable troughs in light grey. Cable troughs: 58

Cat. No.:	Width (mm)	Depth (mm)	Height (mm)
724733	550	400	1310



Experiment stand-M 1300, mobile

Mobile experiment stand for demonstration purposes- robust construction of rectangular steel tubing- mounted on 4 rubber casters, 2 casters equipped with locking mechanism- Large equipment tray; chipboard with PVC edge bands, width: 1202 mm, depth: 600 mm, thickness: 19 mm- coated with melamine resin in accordance with DIN 68 765,- scratch resistant, heat resistant- 4 aluminium panel rails for the mounting of training panels in three levels- Colour: Equipment tray grey RAL 7035- Tubing: raspberry-coloured, surface coated with pulver

Cat. No.:	Width (mm)	Depth (mm)	Height (mm)
724876	1242	600	1941

ill. with melamine resin in accordance with DIN 68 765,- scratch resistant, heat resistant

Equipment board for experiment stand M

additional tray for experiment stand mobile 1300: Chipboard with PVC edge and robust substructure by rectangular tubes- coated with melamine resin in accordance with DIN 68 765,- scratch resistant, heat resistant

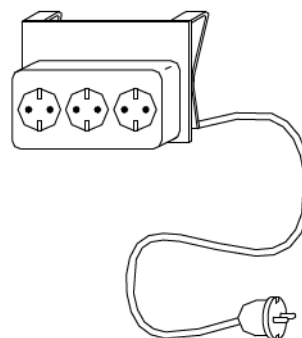
Cat. No.:	Width (mm)	Depth (mm)	Height (mm)
7248761	1100	450	19

MOBILE EXPERIMENT STANDS

854899

Electro- set

Electrical kit, incl. plug and cable consisting of 3-fold protective contact outlets 230 V / Ac and 3 m of connecting lead with plug



854896

Pull-out keyboard shelf

Pull-out keyboard shelf for under table assembly to the admission of a PC keyboard, including assembly material

Mobile experiment stand 130

Mobile experiment stand for demonstration-wooden lower cabinet with 2 wing doors, recessed, with 2 all metal safety locks-4 compartments with grooved mats for storing experiment panels-4 organization drawers,all plastic designed with partition slots for practical organizing of drawers-7/8 pull-out length on rollers - cylinder lock with central locking device-table top with 2 M8 threaded inserts for mounting a panel frame or a 3 HU bench-top console for power supply- 3-ply fine grain chip board, 25 mm thick melamine resin coated, according to DIN 68765-scratch resistant, heat resistant

Cat. No.:	Width (mm)	Depth (mm)	Height (mm)
854883	1320	650	830

Accessories experiment stands

-Power Supply systems and Panel frame
-Electro- set

Chapter M8
854899



Mobile experiment stand
outfit with power supply systems and panel frame



CABINETS



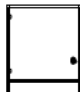
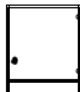
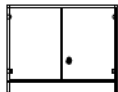
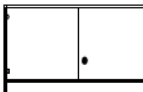
STANDARD CABINETS, WALL STANDING



CABINETES, WALL STANDING

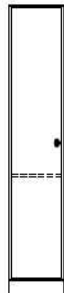
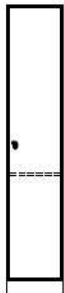
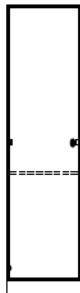
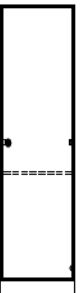
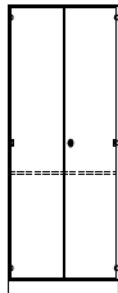
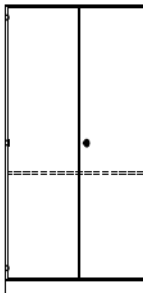
Top cabinets

Height: 800 mm
 Depth: 600 mm
 designed with:
 Cylinder lock and
 Assembly set bow-type
 Guide bar

450mm	450mm	600mm	600mm	900mm	1200mm
					
855301	855302	855303	855304	855305	855306

Tall cabinets

Height: 2000 mm
 Depth: 600 mm
 designed with:
 Cylinder lock and
 Assembly set bow-type

450mm	450mm	600mm	600mm	900mm	1200mm
					

Tall cabinet

855001	855002	855003	855004	855005	855006
--------	--------	--------	--------	--------	--------

Compartment shelf

855501	855501	855502	855502	855503	855504
--------	--------	--------	--------	--------	--------

Roller drawer

-	-	855512	855512	855513	855514
---	---	--------	--------	--------	--------

ceiling connection panel base flush

855601	855601	855603	855603	855605	855607
--------	--------	--------	--------	--------	--------

ceiling connection front flush

855602	855602	855604	855604	855606	855608
--------	--------	--------	--------	--------	--------

ceiling connection panel sideways Type A (about front end wall standing)

855610

ceiling connection panel sideways Type B (connection with side widening)

855611

Assembly set mussel-type

855561

Assembly set triple hook, rotary

855562

Hinged ladder

855556

Ladder hook cabinet assembly

855557

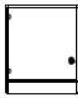
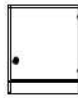
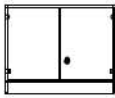
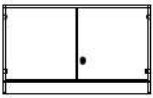
Ladder hook wall assembly

855555

GROOVED MAT CABINETS FOR TRAINING PANEL DIN A4

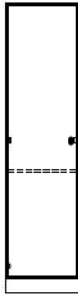
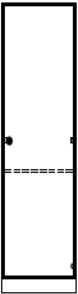
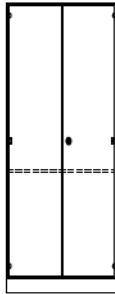
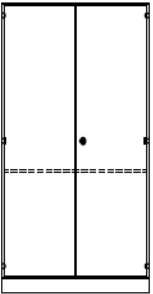
Top cabinets

Height: 800 mm
 Depth: 600 mm
 designed with:
 Cylinder lock and
 Assembly set bow-type
 Guide bar

600mm	600mm	900mm	1200mm
			
855303	855304	855305	855306

Tall cabinets

Height: 2000 mm
 Depth: 600 mm
 designed with:
 Cylinder lock and
 Assembly set bow-type

600mm	600mm	900mm	1200mm
			

Tall cabinet

855053	855054	855055	855056
--------	--------	--------	--------

Compartment shelf

855502	855502	855503	855504
--------	--------	--------	--------

Shelf with 1 grooved mat

855522	855522	855523	855524
--------	--------	--------	--------

Shelf with 2 grooved ma

855532	855532	855533	855534
--------	--------	--------	--------

**ceiling connection
panel base flush**

855603	855603	855605	855607
--------	--------	--------	--------

**ceiling connection
front flush**

855604	855604	855606	855608
--------	--------	--------	--------

**ceiling connection panel
sideways Type A
(about front end wall standing)**

855610			
--------	--	--	--

**ceiling connection panel
sideways Type B
(connection with side widening)**

855611			
--------	--	--	--

Assembly set mussel-type

855561			
--------	--	--	--

Assembly set triple hook, rotary

855562			
--------	--	--	--

Hinged ladder

855556			
--------	--	--	--





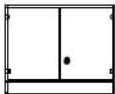
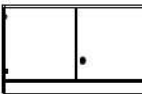
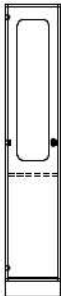

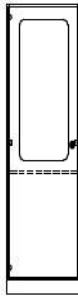
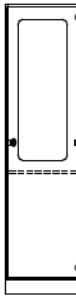
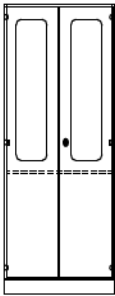
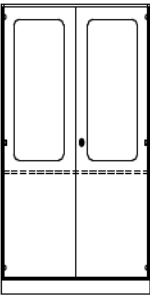
**Ladder hook
cabinet assembly**

855557			
--------	--	--	--

**Ladder hook
wall assembly**


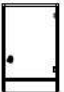
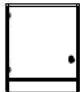
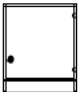
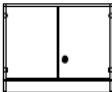
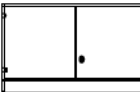

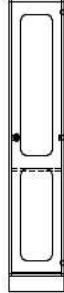


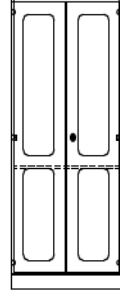
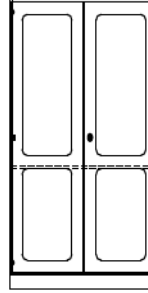
855555			
--------	--	--	--

TALL CABINETS, PART- GLASSED

Top cabinets Height: 800 mm Depth: 600 mm designed with: Cylinder lock and Assembly set bow-type Guide bar	450mm	450mm	600mm	600mm	900mm	1200mm
						
	855301	855302	855303	855304	855305	855306
Tall cabinets Height: 2000 mm Depth: 600 mm designed with: Cylinder lock and Assembly set bow-type	450mm	450mm	600mm	600mm	900mm	1200mm
						
Tall cabinet	855101	855102	855103	855104	855105	855106
Compartment shelf	855501	855501	855502	855502	855503	855504
Roller drawer	855512	855512	855512	855512	855513	855514
ceiling connection panel base flush	855601	855601	855603	855603	855605	855607
ceiling connection front flush	855602	855602	855604	855604	855606	855608
ceiling connection panel sideways Type A (about front end wall standing)	855610					
ceiling connection panel sideways Type B (connection with side widening)	855611					
Assembly set mussel-type	855561					
Assembly set triple hook, rotary	855562					
Hinged ladder	855556					
Ladder hook cabinet assembly	855557					
Ladder hook wall assembly	855555					





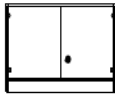
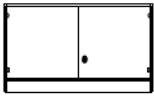
TALL CABINETS, FULL- GLASSED

Top cabinets Height: 800 mm Depth: 600 mm designed with: Cylinder lock and Assembly set bow-type Guide bar	450mm	450mm	600mm	600mm	900mm	1200mm
						
	855301	855302	855303	855404	855305	855306
Tall cabinets Height: 2000 mm Depth: 600 mm designed with: Cylinder lock and Assembly set bow-type	450mm	450mm	600mm	600mm	900mm	1200mm
						
Tall cabinet	855151	855152	855153	855154	855155	855156
Compartment shelf	855501	855501	855502	855502	855503	855504
Roller drawer	855512	855512	855512	855512	855513	855514
ceiling connection panel base flush	855601	855601	855603	855603	855605	855607
ceiling connection front flush	855602	855602	855604	855604	855606	855608
ceiling connection panel sideways Type A (about front end wall standing)	855610					
ceiling connection panel sideways Type B (connection with side widening)	855611					
Assembly set mussel-type	855561					
Assembly set triple hook, rotary	855562					
Hinged ladder	855556					
Ladder hook cabinet assembly	855557					
Ladder hook wall assembly	855555					

TALL CABINETS WITH DRAWER, CENTRAL LOCKING

Top cabinets


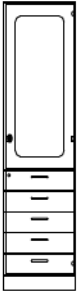
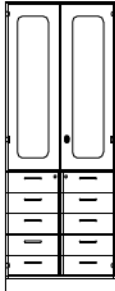
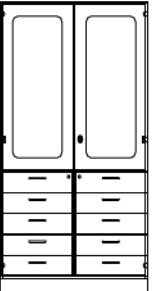
Height: 800 mm
 Depth: 600 mm
 designed with:
 Cylinder lock and
 Assembly set bow-type
 Guide bar

600mm	600mm	900mm	1200mm
			
855303	855404	855305	855306

Tall cabinets

Height: 2000 mm
 Depth: 600 mm

designed with:
 Cylinder lock and
 Assembly set bow-type

600mm	600mm	900mm	1200mm
			

Tall cabinet

855203	855204	855205	855205
--------	--------	--------	--------

Compartment shelf

855502	855502	855503	855504
--------	--------	--------	--------

Roller drawer

855512	855512	855513	855514
--------	--------	--------	--------

**ceiling connection
panel base flush**

855603	855603	855605	855607
--------	--------	--------	--------

**ceiling connection
front flush**

855604	855604	855606	855608
--------	--------	--------	--------

**ceiling connection panel
sideways Type A
(about front end wall standing)**

855610			
--------	--	--	--

**ceiling connection panel
sideways Type B
(connection with side widening)**

855611			
--------	--	--	--

Assembly set mussel-type

855561			
--------	--	--	--

Assembly set triple hook, rotary

855562			
--------	--	--	--

Hinged ladder

855556			
--------	--	--	--

**Ladder hook
cabinet assembly**

855557			
--------	--	--	--



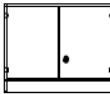
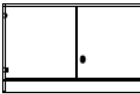
**Ladder hook
wall assembly**

855555			
--------	--	--	--

LOCKER CABINETS


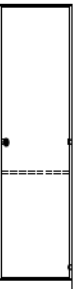
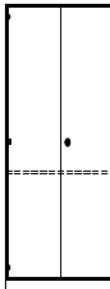
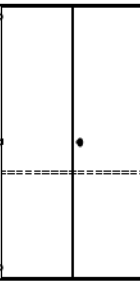
Top cabinets

Height: 800 mm
 Depth: 600 mm
 designed with:
 Cylinder lock and
 Assembly set bow-type
 Guide bar

600mm	600mm	900mm	1200mm
			
855303	855404	855305	855306

Tall cabinets

Height: 2000 mm
 Depth: 600 mm
 designed with:
 Cylinder lock and
 Assembly set bow-type

600mm	600mm	900mm	1200mm
			

Tall cabinet

ceiling connection
 panel base flush

ceiling connection
 front flush

ceiling connection panel
 sideways Type A
 (about front end wall standing)

ceiling connection panel
 sideways Type B
 (connection with side widening)

Assembly set mussel-type

Assembly set triple hook, rotary

Hinged ladder

Ladder hook
 cabinet assembly

Ladder hook
 wall assembly

855421	855422	855423	855424
855603	855603	855605	855607
855604	855604	855606	855608
855610			
855611			
855561			
855562			
855556			
855557			
855555			

SLIDING CABINET

Top cabinet

Height: 800 mm
 Depth: 600 mm
 designed with:
 Cylinder lock and
 Assembly set bow-type
 Guide bar

Tall cabinets

Height: 2000 mm
 Depth: 600 mm

designed with:
 Cylinder lock and
 Assembly set bow-type

Sliding cabinet

Compartment shelf

Roller drawer

ceiling connection
 panel base flush

ceiling connection
 front flush

ceiling connection panel
 sideways Type A
 (about front end wall standing)

ceiling connection panel
 sideways Type B
 (connection with side widening)

Assembly set mussel-type

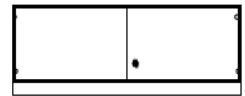
Assembly set triple hook, rotary

Hinged ladder

Ladder hook
 cabinet assembly

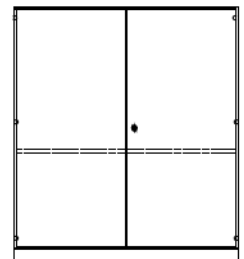
Ladder hook
 wall assembly

1800mm



855411

1800mm



855401

855503

855513

2x 855605

2x 855606

855610

855611

855561

855562

855556

855557

855555

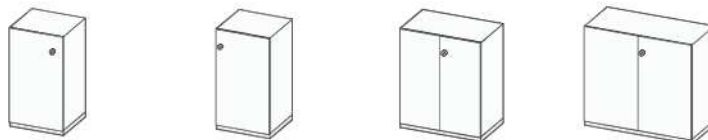


CABINETS

CABINETS HEIGHT 1100 MM

Cabinets
 Height: 1100 mm
 Depth: 600 mm
 designed with:
 Cylinder lock and
 Assembly set bow-type

600mm	600mm	900mm	1200mm	1000mm 5 Drawer
-------	-------	-------	--------	--------------------



Cabinet

855453	855454	855455	855456	855460
--------	--------	--------	--------	--------

Compartment shelf

855502	855502	855503	855504	-
--------	--------	--------	--------	---

Roller drawer

855512	855512	855513	855514	-
--------	--------	--------	--------	---

Shelf with 1 grooved mat

855522	855522	855523	855524	-
--------	--------	--------	--------	---

Shelf with 2 grooved ma

855532	855532	855533	855534	-
--------	--------	--------	--------	---

Assembly set mussel-type



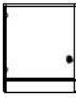

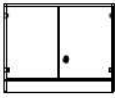
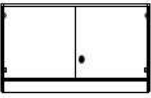
		855561		
--	--	--------	--	--

Assembly set triple hook, rotary



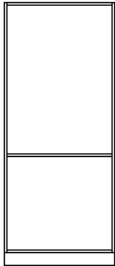
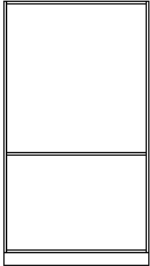
		855562		
--	--	--------	--	--

SHELF CABINETS

Shelf cabinets
 Height: 800 mm
 Depth: 600 mm

450mm	450mm	600mm	600mm	900mm	1200mm
					
855301	855302	855303	855304	855305	855306

Shelf cabinets
 Height: 800 mm
 Depth: 600 mm

450mm	600mm	900mm	1200mm
			

Shelf cabinets

855701	855702	855703	855704
--------	--------	--------	--------

Compartment shelf

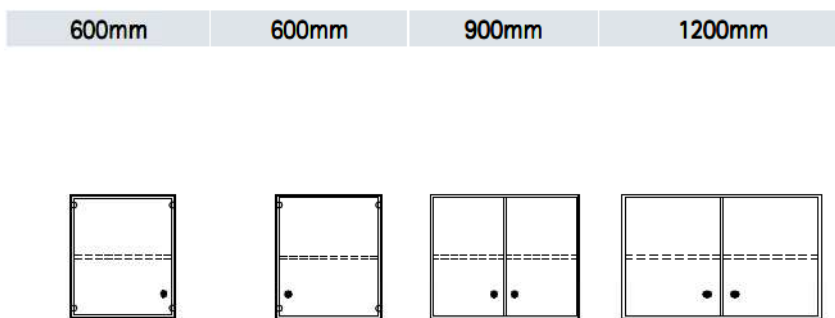
855501	855502	855503	855504
--------	--------	--------	--------



HANGING CABINET

Hanging cabinet

Height: 770 mm
Depth: 400 mm



Hanging cabinet

Hanging cabinet Door-glasses

Light -base element

Light -attach element

855763	855764	855765	855766
-	-	-	855776
855780	855780	-	855781
855782	855782	-	855783

Hanging shelf

Height: 770 mm
Depth: 380 mm

600mm	600mm	900mm	1200mm
855753	855753	855755	855756
855780	855780	-	855781
855782	855782	-	855783

Hanging shelf

Light -base element

Light -attach element

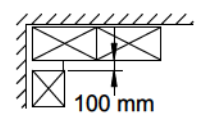
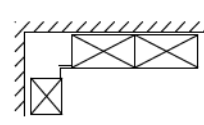
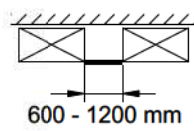
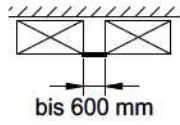
WALL CONNECTIONS, SHEETINGS, ACCESSORIES

Wall connections

Height: 19 mm/ m²

10-600 mm

600-1200 mm



Height: 2000 mm

855651

855655

855653

855654

Height: 2800 mm

855652

855656

855657

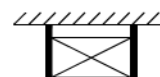
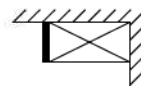
855658

Wall connections, sheeting's

Height: 19 mm/ m²

Type A

Type B

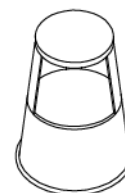


855610

855611

Rolling stool

855558

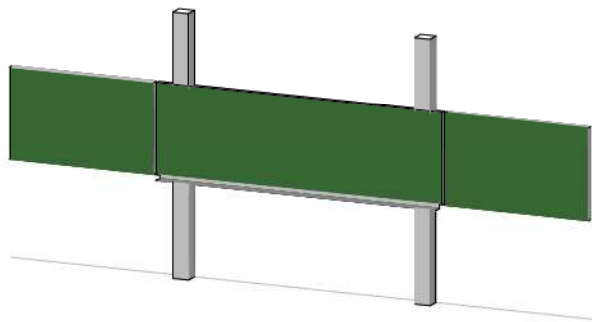
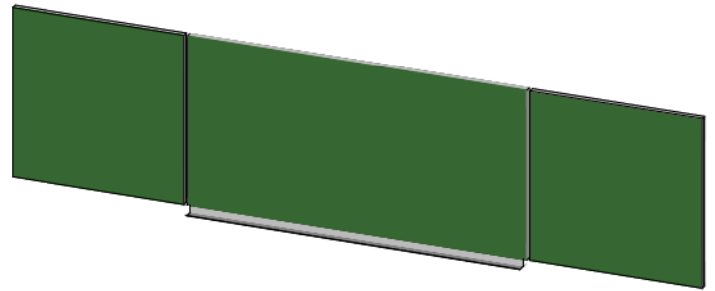




BOARDS



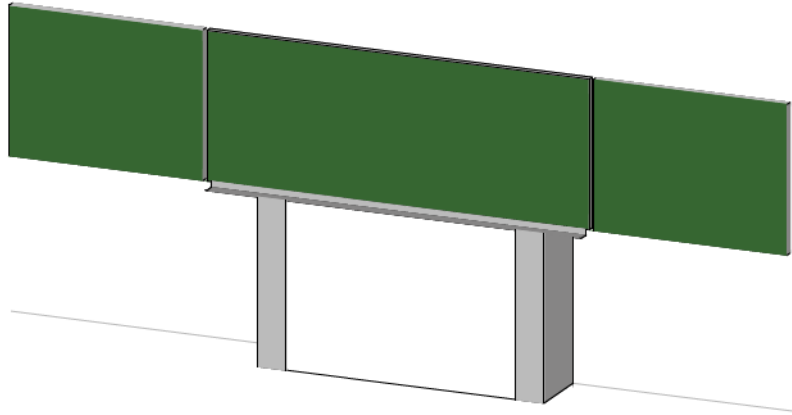
BOARDS



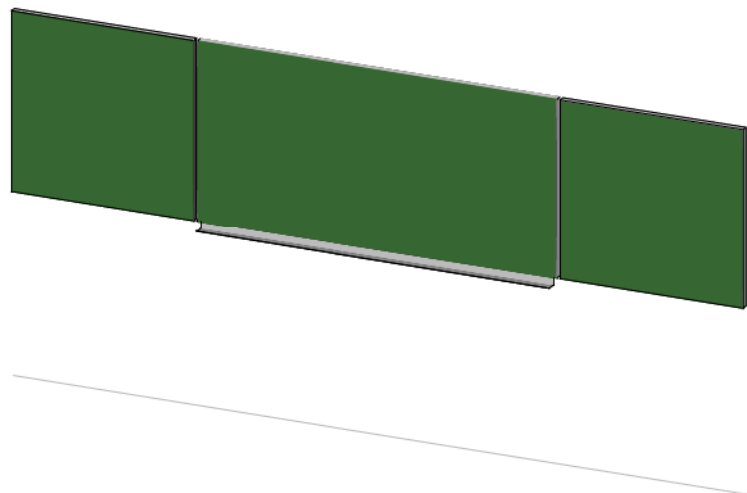


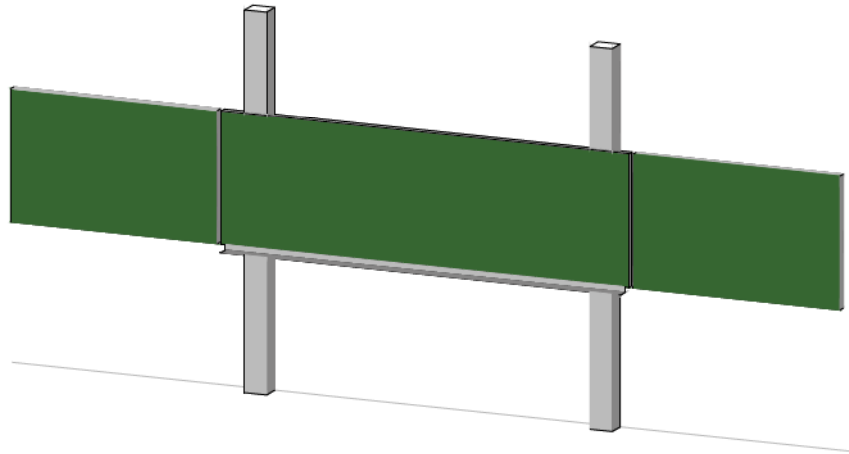
Boards

Fold-out sliding board with lower cabinet



Fold-out sliding board- wall-mounted



Fold-out Double suspension tower board

Double suspension tower board

INTERACTIVE WHITEBOARD

452 401
Interactive whiteboard- WB
Wall-mounted



452 402
Interactive whiteboard – RB
Mobile

INTERACTIVE WHITEBOARD

452 403

Interactive whiteboard – RB-MF

Fold- out , wall-mounted



452 404

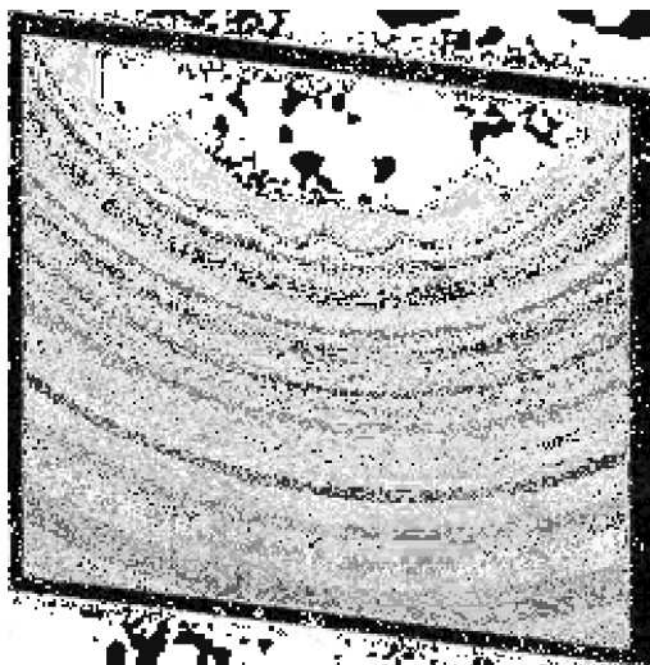
Interactive whiteboard – RB-MF

Mobile, Fold- out



WALL BOARD

Wall board





Projection board





CHAIRS



CHAIRS



CHAIRS

Student's chair PU



Office swivel chair, roles, upholstered



Teacher swivel chair, roles, upholstered



Variation with ring armrest





Student's chair



Swivel chair, glider



Teacher- swivel chair, roles

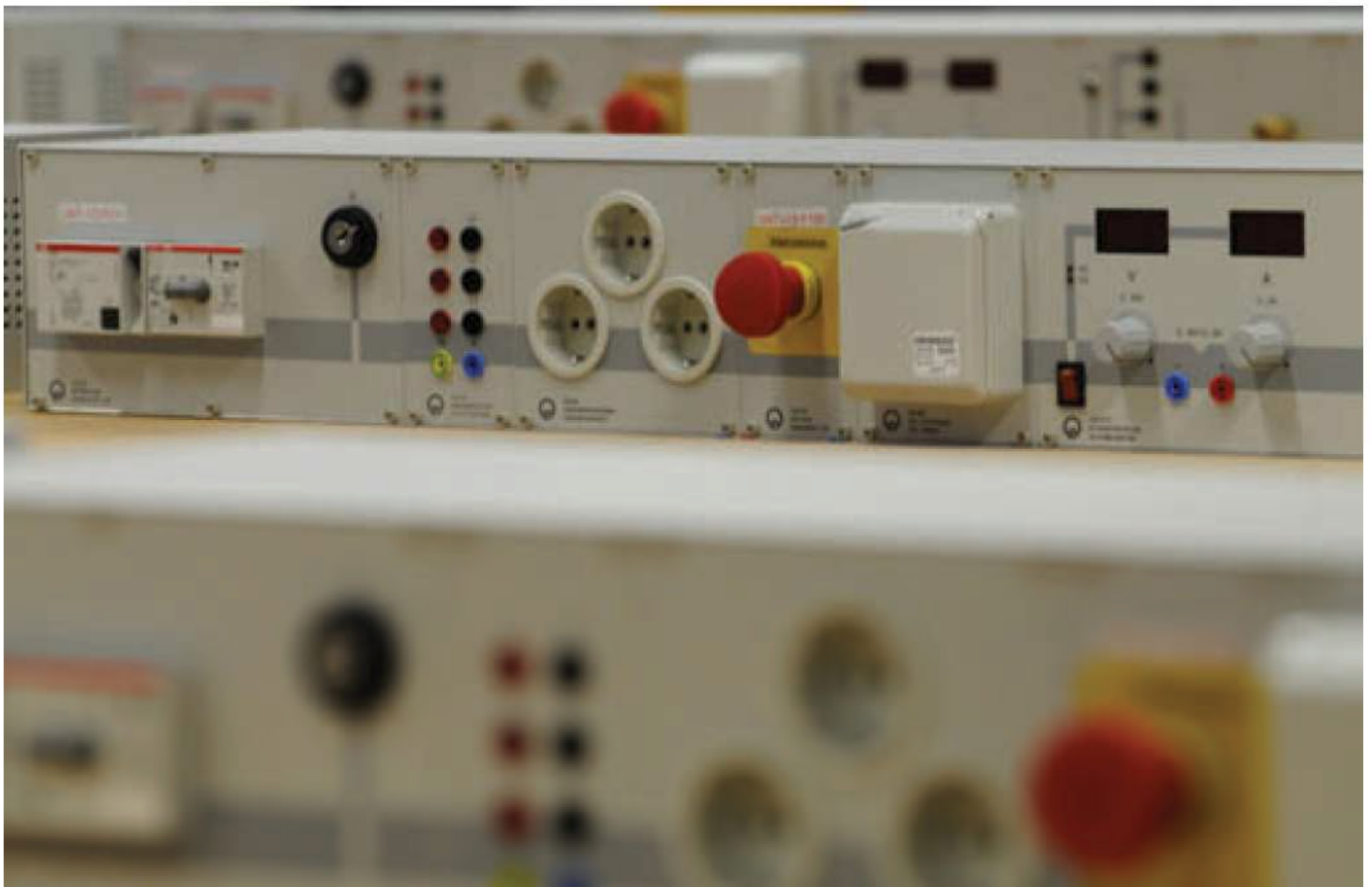


Swivel stool, rollers





LeyLABpower POWER SUPPLY SYSTEMS 19"



A photograph of the rear panel of the power supply system. It features several circular ports, a power switch, and various electrical terminals. A red line connects this view to the 'Equipment' section.

Equipment

- Highest functionality in a homogeneous design due to coordinated development of furniture and instruments in one house.
- New multi-functional benches with innovative power supplies and modern PC-technology for variable utilization of classrooms.
- Modular power supply system for individual solutions in 19" industrial standard

A technical drawing showing the power supply system integrated into a bench structure. The drawing illustrates the internal components and their connection to the bench's power supply system.



INNOVATIVE LABORATORY TECHNOLOGY FROM LD DIDACTIC

Modular industrial power supply system in 19" technology

-19" insert system with bench rack

-19"-insert system with channel module housing

Application modular work place and furniture system with integrated power supplies (19" insert system, 3 PU) for users in industry (development, assembly, testing) and education (experiment and working places for electricians and electronics).

Outfit clearly indicated segments user-friendly and ergonomically designed control elements versatility through modular structure

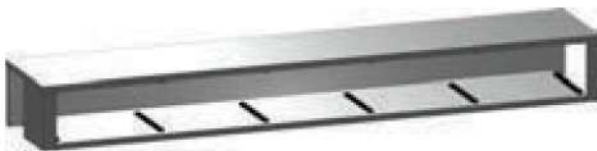
Devices the Leybold Didactic- power supply system has been designed with regard to the 19"-industry standard, used globally. A multitude of ready to use inserts is making the combination of power supplies and experiment set-ups for individual needs child's play. All front panels are lacquered printed scratch-resistant.

CHANNEL MODULE HOUSING



Aluminium housing to accommodate 19" devices with 3 height units

COCKPIT RACK 3HE



Cockpit rack 3 height units, with 19" channel housings to accommodate 19" devices with 3 height units.

Channel housing designed to accommodate 19" devices with 3 height units, consisting of lacquered sheet-metal side walls, base and cover profiles made of aluminium, colour: RAL 7035 light grey.



725106

Channel module housing 610

Equipped with:

4 connection sockets, 5-pole, for supply of maximum
4 x 19" devices
available module insert width: 119 TE
H: 133 mm, W: 610 mm, D: 228 mm

725114

Channel module housing 1300

Equipped with:

6 x connection sockets, 5-pole, for supplying maximum
6 x 19" devices
available module insert width: 231 TE
H: 133 mm, W: 1177 mm, D: 228 mm



725127

Channel module housing 1600

Equipped with:

8 connection sockets, 5-pole, for supply of maximum
8 x 19" devices
available module insert width: 294 TE
H: 133 mm, W: 1496 mm, D: 228 mm

725134

Channel module housing 1800

Equipped with:

9 connection sockets, 5-pole, for supply of maximum
9 x 19" devices
available module insert width: 329 TE
H: 133 mm, W: 1675 mm, D: 228 mm



725137

Channel module housing 2000

Equipped with:

10 connection sockets, 5-pole, for supply of maximum
10 x 19" devices
available module insert width: 371 TE
H: 133 mm, W: 1888 mm, D: 228 mm

BENCH RACK 3HE *basic*

850811

Bench rack 1300

Bench rack, ready for mounting of channel housings to accommodate 19" devices with 3 height units.

Equipped with:

2 threaded inserts and guide rail for attaching panel frame or assembly grid to bench top console
H: 183 mm, W: 1323 mm, D: 330 mm

858125

Bench rack 1600

Bench rack, ready for mounting of channel housings to accommodate 19" devices with 3 height units.

Equipped with:

2 threaded inserts and guide rail for attaching panel frame or assembly grid to bench top console
H: 183 mm, W: 1600 mm, D: 330 mm

858131

Bench rack 1800

Bench rack, ready for mounting of channel housings to accommodate 19" devices with 3 height units.

Equipped with:

2 threaded inserts and guide rail for attaching panel frame or assembly grid to bench top console
H: 183 mm, W: 1800 mm, D: 330 mm

858135

Bench rack 2000

Bench rack, ready for mounting of channel housings to accommodate 19" devices with 3 height units.

Equipped with:

2 threaded inserts and guide rail for attaching panel frame or assembly grid to bench top console
H: 183 mm, W: 2000 mm, D: 330 mm

CHANNEL HOUSING FOR BENCH RACK *basic*

725112

Channel housing for bench rack 1300

Channel housing for the bench rack 1300 mounting of 19" devices with 3 height units; consisting of lacquered sheet-metal side walls; base and cover profiles made of aluminium.

Equipped with:

6 connection sockets, 5-pole for supply of maximum 6 x 19" devices
available module insert width: 203 TU

725126

Channel housing for bench rack 1600

Channel housing for the bench rack 1600, for mounting of 19" devices with 3 height units; consisting of lacquered sheet-metal side walls, base and cover profiles made of aluminium.

Equipped with:

8 connection sockets, 5-pole, for supply of maximum 8 x 19" devices
available module insert width: 287 TU

725132

Channel housing for bench rack 1800

Channel housing for the bench rack 1800 for mounting of 19" devices with 3 height units; consisting of lacquered sheet-metal side walls; base and cover profiles made of aluminium.

Equipped with:

9 connection sockets, 5-pole, for supply of maximum 9 x 19" devices
available module insert width: 322 TU

725136

Channel housing for bench rack 2000

Channel housing for the bench rack 2000 for mounting of 19" devices with 3 height units; consisting of lacquered sheet-metal side walls; base and cover profiles made of aluminium.

Equipped with:

10 connection sockets, 5-pole, for supply of maximum 10 x 19" devices
available module insert width: 364 TU



BENCH RACK 3HE *aluline*

CHANNEL HOUSING FOR COCKPIT RACK *aluline*

850502

Cockpit rack Aluline 1200

Cockpit rack, ready for mounting of channel housings to accommodate 19" devices with 3 height units.

Equipped with:

2 threaded inserts and guide rail for attaching panel frame or assembly grid to bench top console
H: 185 mm, W: 1200 mm, D: 295 mm

850507

Cockpit rack Aluline 1600

Cockpit rack, ready for mounting of channel housings to accommodate 19" devices with 3 height units.

Equipped with:

2 threaded inserts and guide rail for attaching panel frame or assembly grid to bench top console
H: 185 mm, W: 1600 mm, D: 295 mm

850512

Cockpit rack Aluline 1800

Cockpit rack, ready for mounting of channel housings to accommodate 19" devices with 3 height units.

Equipped with:

2 threaded inserts and guide rail for attaching panel frame or assembly grid to bench top console
H: 185 mm, W: 1800 mm, D: 295 mm

850517

Cockpit rack Aluline 2000

Cockpit rack, ready for mounting of channel housings to accommodate 19" devices with 3 height units.

Equipped with:

2 threaded inserts and guide rail for attaching panel frame or assembly grid to bench top console
H: 185 mm, W: 2000 mm, D: 295 mm

725310

Channel housing for cockpit rack Aluline 1200

Channel housing for the cockpit rack Aluline 1200, for mounting of 19" devices with 3 height units; consisting of lacquered sheet-metal side walls; base and cover profiles made of aluminium.

Equipped with:

6 connection sockets, 5-pole for supply of maximum 6 x 19" devices
available module insert width: 203 TU

725311

Channel housing for cockpit rack Aluline 1600

Channel housing for the cockpit rack Aluline 1600, for mounting of 19" devices with 3 height units; consisting of lacquered sheet-metal side walls, base and cover profiles made of aluminium.

Equipped with:

8 connection sockets, 5-pole, for supply of maximum 8 x 19" devices
available module insert width: 287 TU

725312

Channel housing for cockpit rack Aluline 1800

Channel housing for the cockpit rack Aluline 1800 for mounting of 19" devices with 3 height units; consisting of lacquered sheet-metal side walls; base and cover profiles made of aluminium.

Equipped with:

9 connection sockets, 5-pole, for supply of maximum 9 x 19" devices
available module insert width: 322 TU

725313

Channel housing for cockpit rack Aluline 2000

Channel housing for the cockpit rack Aluline 2000 for mounting of 19" devices with 3 height units; consisting of lacquered sheet-metal side walls; base and cover profiles made of aluminium.

Equipped with:

10 connection sockets, 5-pole, for supply of maximum 10 x 19" devices
available module insert width: 364 TU

MAINS SUPPLY FOR 230 V AND 400 V

725212

Mains supply 230



230 V mains supply, **equipped with:**

- key switch 0/I
- fault current circuit breaker 30 mA
- automatic cut-out 16 A
- connection terminal unit for adaptation to the bus wiring of the channel module housing

Width: 28 PU

725213

Output terminal 230



230 V output terminal, **equipped with:**

- outputs: 3 x 4 mm safety sockets, L1, N, PE
- phase monitor lamp
- reverse-polarity indicator lamp L1/N

Width: 14 PU

725214

Output terminal 230 I/O



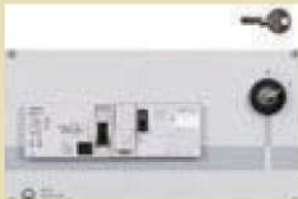
230 V output terminal, **equipped with:**

- mains switch, illuminated
- outputs: 3 x 4 mm safety sockets, L1, N, PE
- phase monitor lamp
- reverse-polarity indicator lamp L1/N

Width: 21 PU

725232

Mains supply 400



400 V mains supply, **equipped with:**

- key switch 0/I
- fault current circuit breaker 30 mA
- motor protection switch 6...10 A with under voltage trip
- connection terminal unit for adaptation to the bus wiring of the channel module housing

Width: 49 PU

725232 (B)

Mains supply 400 FI Typ B



400 V mains supply, **equipped with:**

- key switch 0/I
- fault current circuit breaker 30 mA
- motor protection switch 6...10 A with under voltage trip
- connection terminal unit for adaptation to the bus wiring of the channel module housing

Width: 49 PU

725216

Key switch 0/I



equipped with:

- key switch 0/I

Width: 14 PU

725233

Output terminal 400



400 V output terminal, **equipped with:**

- outputs: 5 x 4 mm safety sockets, L1, L2, L3, N, PE
- 3 x phase monitor lamps

Width: 14 PU

725234

Output terminal 400 I/O



400 V output terminal, **equipped with:**

- cam switch 0/I
- outputs: 5 x 4 mm safety sockets, L1, L2, L3, N, PE
- 3 x phase monitor lamps

Width: 21 PU



SOCKETS

725240

Empty box



equipped with:

-1 cavity wall-device box to the admission of unterplaster-applications
Width: 21 PU

725242

5 Schuko sockets



equipped with:

-5 x Schuko sockets, 230 V, N, PE
Width: 42 PU

725243

3 Schuko sockets



equipped with:

-3 x Schuko sockets, 230 V, N, PE
Width: 28 PU

725244

2 Schuko sockets



equipped with:

-2 x Schuko sockets, 230 V, N, PE
Width: 14 PU

725245

2 Schuko sockets EDV



equipped with:

-2 x Schuko sockets EDV,
230 V, N, PE
Width: 28 PU

725302

Isolating transformer 100 VA



equipped with:

-mains switch, illuminated
-output voltage: 230 V, floating earth
-power: 100 VA
-mains protection:
thermal circuit breaker 0.5 A
-outputs: socket without earthing contact
Width: 21 PU

725282

CEE-Socket



equipped with:

-CEE socket 16 A, 3 x 400 V, N, PE
Width: 21 PU

725272

Emergency off



equipped with:

-emergency off switch with pull-unlatching device
Width: 14 PU

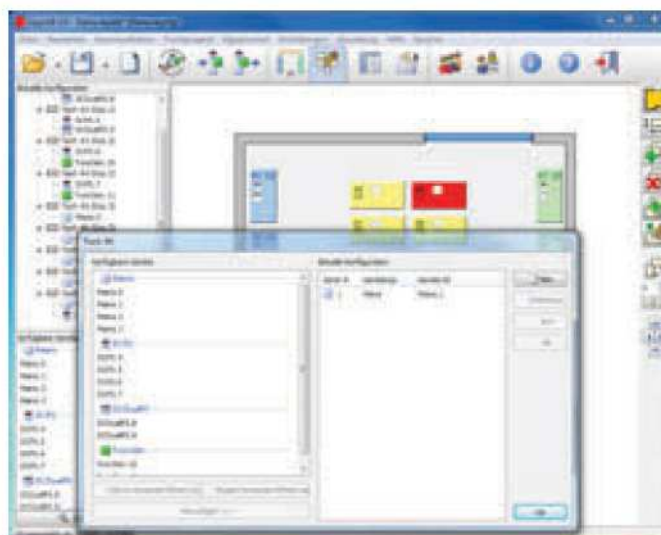
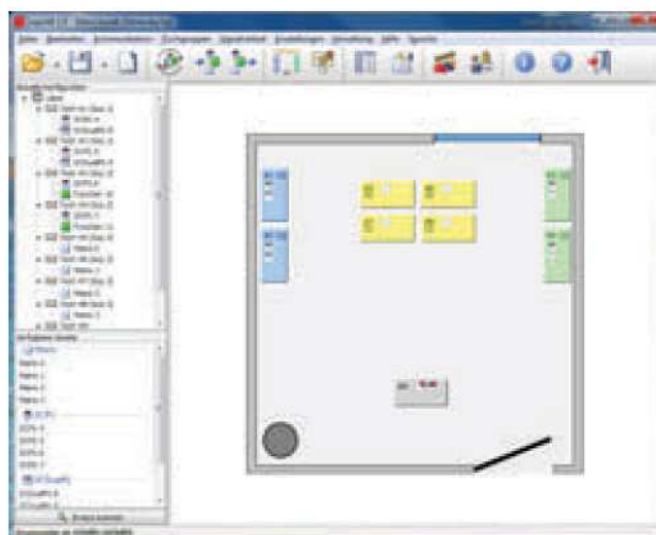


NETWORKING LABORATORIES

LeyLab.net is a piece of software that has been specially developed to network school laboratories. All the hardware components in the networked lab communicate via Ethernet. LeyLab.net allows you, for example, to control power supply units, function generators or school desk power sockets, all from a central workstation. The lab equipment may be remotely turned on and off, configured or limited to your output values for the respective experiment, according to requirements

The network enables the required parameters to be rapidly entered into the lab workstations. Equipment damage due to excessive supply voltage is thus avoided and the potential danger in the lab is reduced.

Room Planner Software





Network Capable Circuit Modules



The device can be controlled directly or using the central software over the network



Leylab.net

725024 N

Ethernetswitch with 5 Schuko sockets

equipped with:

- 5 x Schuko sockets, 230 V, N, PE
 - Interface Leylab.net
 - Ethernetswitch 8 times
 - power supply unit
- Width: 42 PU



725025 N

Ethernetswitch

bestückt mit:

- Ethernetswitch 8 times
- power supply unit



725242 N

5 Schuko sockets

equipped with:

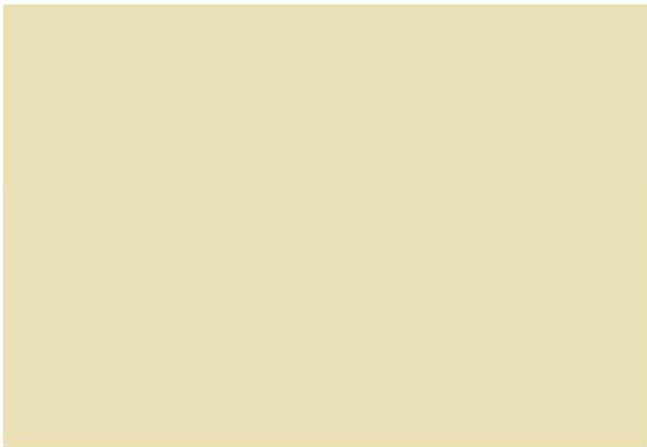
- 5 x Schuko sockets, 230 V, N, PE
 - Interface Leylab.net
- Width: 42 PU





725243 N

3 Schuko sockets



equipped with:

- 3 x Schuko sockets, 230 V, N, PE
- Width: 28 PU

725372 DN

DC- Stabilizer 2X30 V/2,5 A Var.

Lab power supply unit with two separate and stabilized DC voltage supplies.

Equipped with:

- mains switch, illuminated
- outputs 2 x 0...30 V / 2 x 0,1 ...2.5 A floating earth
- two independent control units
- voltages and currents can be adjusted from zero to nominal value
- residual ripple: 0.7 mA eff. max.
- current ripple: 0.8 mA eff. max.
- output: through four 4-mm safety sockets
- display: 4 digital indicators (digit height 12.4 mm) for current/voltage
- mode indicator: 4 green LEDs
- current limiting indicator: 2 red LEDs
- Width: 63 PU



725373 DN

DC- Stabilizer 30 V/5 Var.

Lab power supply unit with stabilized DC voltage supply.

Equipped with:

- mains switch, illuminated
- outputs 0...30 V / 0,1 ...2.5 A floating earth
- voltages and currents can be adjusted from zero to nominal value
- residual ripple: 0.7 mA eff. max.
- current ripple: 0.8 mA eff. max.
- output: through four 2-mm safety sockets
- display: 2 digital indicators (digit height 12.4 mm) for current/voltage
- mode indicator: 2 green LEDs
- current limiting indicator: 1 red LED
- Width: 42 PU



Leylab.net

725512 N

Function- Generator 200 kHz

Microprocessor-controlled signal generator.

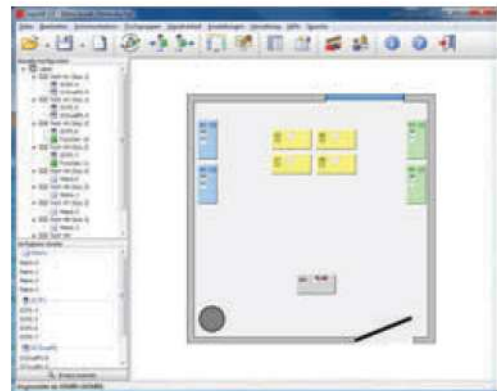
Equipped with:

- Illuminated mains switch
- Functions:
sine/triangular/square-wave/DC
- Square-wave signal: duty cycle 10 %...90 %, adjustable in steps of 5 %
- Frequency range: 1 Hz...200 kHz
- Resolution: 1 mHz...100 Hz, frequency-dependent
- Output voltage: 0...20 Vpp continuous
- DC offset: ± 10 V
- Display: 4-digit LC display for signal parameters and functions
- Attenuator: 0 dB, -20 dB, -40 dB
- Output: Impedance 50 Ohm
- Trigger output: TTL level
- Output: BNC sockets
- Width: 42 PU



Leylab.net Software

- Configuration of the laboratory
- Graphical representation of the networked module
- Control and display of switching state





PC- AND DATA INTERFACE

725258

PC Interface



equipped with: 1 terminal each for:
 - Audio
 - Mouse and keyboard (PS2)
 - Monitor (VGA)
 - Serial interface (RS232)
 - 2 USB ports
 Width: 21 TU

725262

12 Selector terminals



equipped with:
 - 12 4 mm safety sockets black
 Width: 14 TU

725253

Data interface RJ 45



equipped with:
 -two times Data Interface socket RJ 45, shielded, Kat.5, for data transmission
 Width: 14 TU

7252531

Data interface RJ 45 Patch



equipped with:
 - double connection socket RJ 45 cat.6, suitable for data transmission, patch cable connection on the supply side
 Width: 14 TE

725254

Scart connectionbe



equipped with:

725252

Antenna socket



equipped with:
 - Antenna Socket 75 Ohm
 Width: 14 TU

725265

Automotive interface student measuring adaptor

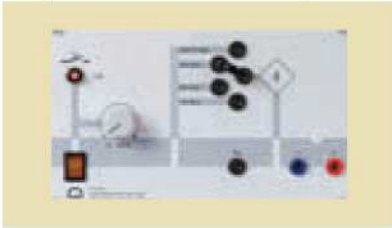
equipped with:



FLEXIBEL TRANSFORMER

725332

Experiment transformer 250/1A



Power supply unit for experiments with variable transformer voltages, with three taps.

Equipped with:

- mains switch, illuminated
- outputs:
 - 0...250 V/0.8 A AC voltage floating earth
 - 0...42 V/2 A AC voltage floating earth
 - 0...24 V/3 A AC voltage floating earth
 - 0...12 V/6 A AC voltage floating earth
- bridge rectifier 35 A for all ranges
- protection: thermic circuit-breaker 1.2 A in the primary circuit of the output transformer
- Outputs: 8 x 4 mm safety sockets
- Width: 42 PU

725342D

Low voltage 250/2A



Power supply for DC and AC voltage in the low voltage range.

Equipped with:

- mains switch, illuminated
- outputs are switchable:
 - AC voltage: 0...250 V/2 A floating earth,
 - DC voltage: 0...220 V/2 A floating earth
- protection: thermal circuit-breaker 2 A
- display: 2 digital indicators of RMS value (digit height 12.4 mm) for indication of current and voltage
- outputs: 2 x 4 mm safety sockets and socket without earthing contact
- Width: 63 PU

725352D

Extra-low voltage 24/4A



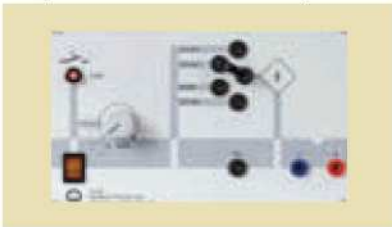
Power supply for DC and AC voltage in the extra-low voltage range.

Equipped with:

- mains switch, illuminated
- outputs are switchable:
 - AC voltage: 0...24 V/4 A floating earth,
 - DC voltage: 0...24 V/4 A floating earth
- output protection: thermal circuit-breaker 4 A
- display: 2 digital indicators of RMS value (digit height 12.4 mm) for indication of current and voltage
- outputs: 2 x 4 mm safety sockets
- Width: 42 PU

725362

Experiment transformer 24V/2A



Power supply unit for experiments with variable transformer voltages with three taps.

Equipped with:

- mains switch, illuminated
- outputs:
 - 0 - 24 V/2 A AC voltage floating ground
 - 0 - 12 V/4 A AC voltage floating ground
 - 0 - 6 V/8 A AC voltage floating ground
 - 0 - 3 V/16 A AC voltage floating ground
- bridge rectifier 35 A for all ranges
- output protection: thermal circuit breaker 0.3 A in the primary circuit of the output transformer
- output: 8 x 4 mm safety sockets
- width: 42 PU

725363

Experiment transformer 24V/6A



Power supply unit for experiments with variable transformer voltages with three taps.

Equipped with:

- mains switch, illuminated
- outputs:
 - 0 - 24 V/6 A AC voltage floating ground
 - 0 - 12 V/12 A AC voltage floating ground
 - 0 - 230 V/2 A AC voltage
- bridge rectifier 35 A for all ranges
- output protection: thermal circuit breaker 2 A in the primary circuit of the output transformer
- output: 8 x 4 mm safety sockets
- width: 42 PU

725364

Experiment transformer 24V/6A fix



Power supply unit for experiments with variable transformer voltages with three taps.

Equipped with:

- mains switch, illuminated
- outputs:
 - 24 V/6 A AC voltage floating ground
 - 12 V/12 A AC voltage floating ground
- bridge rectifier 35 A for all ranges
- output protection: thermal circuit breaker 2 A in the primary circuit of the output transformer
- output: 6 x 4 mm safety sockets
- width: 42 PU

DC-STABILIZER

725372D

DC- Stabilizer 2X30 V/2,5 Var.



Lab power supply unit with two separate and stabilized DC voltage supplies.

Equipped with:

- mains switch, illuminated
- outputs 2 x 0...30 V / 2 x 0,1 ...2.5 A floating earth
- two independent control units
- voltages and currents can be adjusted from zero to nominal value
- residual ripple: 0.7 mA eff. max.
- current ripple: 0.8 mA eff. max.
- output: through four 4-mm safety sockets
- display: 4 digital indicators (digit height 12.4 mm) for current/voltage
- mode indicator: 4 green LEDs
- current limiting indicator: 2 red LEDs
- Width: 63 PU

725373D

DC- Stabilizer 30 V/5 Var..



Lab power supply unit with stabilized DC voltage supply.

Equipped with:

- mains switch, illuminated
- outputs 0...30 V / 0,1 ...2.5 A floating earth
- voltages and currents can be adjusted from zero to nominal value
- residual ripple: 0.7 mA eff. max.
- current ripple: 0.8 mA eff. max.
- output: through four 2-mm safety sockets
- display: 2 digital indicators (digit height 12.4 mm) for current/voltage
- mode indicator: 2 green LEDs
- current limiting indicator: 1 red LED
- Width: 42 PU

725374D

DC- Stabilizer 3...15 V/40 A



Switching mode DC Power Supply providing variable voltages of 3 – 15 V under 40 A continuous operation. Only for use in the bench rack 3HU!

Technical data:

- Overload protection by current foldback circuitry and over temperature protection
- Over voltage protection
- Cooling by a fan
- Display: digital 15 mm green LED-display
- Output voltage: 3-15 V DC adjustable
- Output current: 40 A
- Residual ripple: 10 mV_{eff}
- Operating voltage: 230 V AC, 50 Hz
- Width: 49 PU

725382

AC/ DC- Stabilizer



Lab power supply unit with DC and AC voltage outputs.

Equipped with:

- mains switch, illuminated
- outputs DC: fixed voltage: + 5 V/3 A tracking stabilizer: ± 0...15 V/1 A floating earth, stabilized, short-circuit proof
- outputs AC: AC voltage: 6/12/24 V/1 A floating earth, individually protected by multi-fuses
- output: via 4 mm safety sockets and 6-pole DIN-socket for adapter/clock
- Width: 42 PU

725402

DC- Stabilizer 2X15, 1X5/3



Lab power supply with three separate and stabilized fixed voltages.

Equipped with:

- mains switch, illuminated
- outputs: ± 15 V / 3 A floating earth + 5 V / 3 A floating earth
- fixed voltages: stabilized, short-circuit proof
- nominal voltage monitoring: 3 green LEDs
- residual ripple: 0.3 mV
- outputs: 5 x 4 mm safety sockets
- residual ripple: 0.3 mV
- Width: 42 PU

725403

DC- Stabilizer 24 V/6A



Laboratory mains apparatus, stabilised fixed voltage;

Equipped with:

- mains switch, illuminated
- output: 24 V / 6 A ungrounded
- fixed voltages: stabilised, short circuit-proof
- technical approval: 2x4-mm safety sockets
- Width: 28 PU

THREE-PHASE VOLTAGE, FUNCTION-GENERATOREN

725432

Three-phase voltage 10/17,3



Power supply unit for extra-low 3-phase voltage.

Equipped with:

- mains switch: cam switch 3-pole
- mains voltage: 3 x 400 V ± 10 %, 50...60 Hz
- outputs: 3 x 17,3 V (delta) floating earth
- 3 x 10 V (star) floating earth
- output protection: 3 x thermal circuit-breaker 5 A
- outputs: 4 x 4 mm safety sockets
- Width: 42 PU

725442D

Three- phase voltage 400 V/2,5 A



3 HU power supply unit for variable 3-phase voltage

equipped with:

- mains switch: 4-pole cam switch
- mains voltage: 3 x 400 V ± 10 %, 50 - 60 Hz
- outputs: 3 x 0 - 400 V AC
- 1 x 0 - 250V DC
- 2,5 A short-term 3 A
- output protection 3 A
- output through five 4-mm safety sockets
- display: 2 digital indicators (digit height 12.4 mm) for current, L1, L2, L3 switchable and voltage switchable to: outer conductor/neutral conductor
- outer conductor/outer conductor
- 3 phase control lamps
- width 70 PU

725331

Flexibel transformer 0-260/3; 0-50/10

Flexibel- transformer

equipped with:

- mains switch
- mains voltage :230 V
- outputs :0-260 V, 3 A
- 0-50 V, 10 A
- outputs: 4 mm safety sockets
- display:
- 2 digital indicators
- Width: 70 PU

725502

Adapter for HAMEG module 8000



With its programmable power supplies the HAMEG adapter is universally suitable for the adaptation of units of the HAMEG module system series 8000.

The HAMEG devices are shifted into the adapter from the front side and thus can be used alternately and be switched on separately via the illuminated mains switch.

Width: 42 PU

725512

Function- Generator 200 kHz



Microprocessor-controlled signal generator.

Equipped with:

- Illuminated mains switch
- Functions: sine/triangular/square-wave/DC
- Square-wave signal: duty cycle 10 %...90 %, adjustable in steps of 5 %
- Frequency range: 1 Hz...200 kHz
- Resolution: 1 mHz...100 Hz, frequency-dependent
- Output voltage: 0...20 Vpp continuous
- DC offset: ± 10 V
- Display: 4-digit LC display for signal parameters and functions
- Attenuator: 0 dB, -20 dB, -40 dB
- Output: Impedance 50 Ohm
- Trigger output: TTL level
- Output: BNC sockets
- Width: 42 PU

725522

Continuity tester



Acoustic continuity tester for conducting tests on almost every electrical function.

Channel module, **equipped with:**

- resistance test up to approx. 300 kOhm
- voltage proof up to 500 V AC/DC
- warning lamp for voltages over 60 V
- power supply: 9 V battery IEC 6 F 22 (not included in the scope of delivery)
- battery compartment accessible from outside
- output: 2 x 4 mm safety sockets
- Width: 21 PU

PNEUMATIC SUPPLY, SOLDERING STATION

725532

Pneumatic supply



Supply unit for pneumatic experiments.
19" plug-in unit,
equipped with
-flange pressure gauge 0...10 bar
-pressure regulator 0...10 bar
-output: 2 x coupling connectors NW5,
self-closing
-connection to
the pressurized air via hose clamp
Width: 42 PU

725533

Pneumatic connection



equipped with:
-technical approval: 1 NW5 coupler
socket,
automatic switch-off
-connection to the compressed air supply
by means of a tube clamp
Width: 14 PD

725542

Soldering station



equipped with:
-temperature controlled soldering station (150°...400°)
-soldering iron 80 Watt (at 350°), weight 35 g
-holder
-width:28 PU



DC-MOTORS SUPPLY

725852D

DC- motor supply 300W



Power supply unit for measuring characteristics of electrical machines with constant voltage in the power class of up to 0.3 kW 19" plug-in unit **equipped with:**

- mains switch, illuminated
- output: 40 - 250 V / 0 - 6 A, DC voltage and current adjustable, stabilized, short circuit proof, with power factor correction
- output: 220 V / 2 A DC (two-way bridge)
- protection: thermomagnetic circuit breaker 2 A
- output: through 4 x 4-mm safety sockets
- display: 2 digital indicators (digit height 12.4 mm) for current/voltage
- current limiting indicator: 1 red LED
- changeover switch: U const./U const. external, with mode indicator 1 green LED
- supply U-const. external: (0 - 10 V DC) with two 4-mm safety sockets
- Width: 63 PU

725862D

DC- motor supply 1KW



Power supply unit for measuring characteristics of electrical machines with constant voltage in the power class of up to 1,0 kW. 19" plug-in unit **equipped with:**

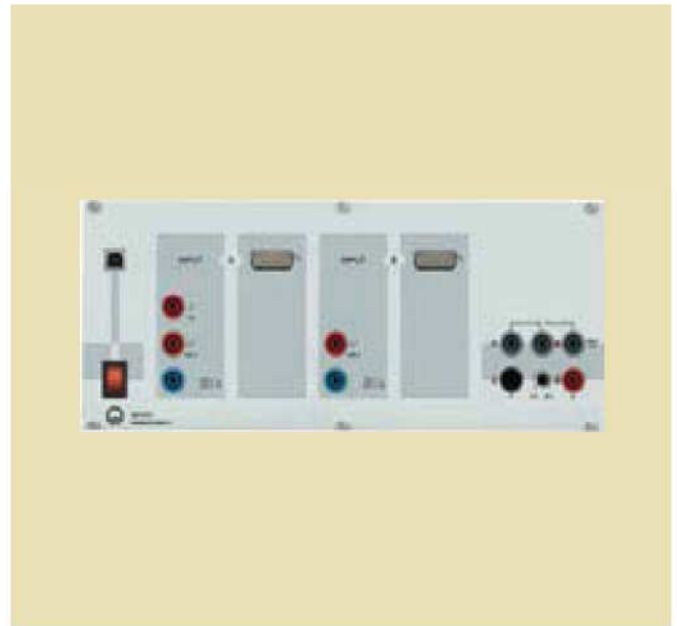
- mains switch, illuminated
- output: 40 - 250 V / 0 - 10 A, DC voltage and current adjustable, stabilized, short circuit proof, with power factor correction
- output: 220 V / 6 A DC (two-way bridge)
- protection: thermomagnetic circuit breaker 6 A
- output: through 4 x 4-mm safety sockets
- display: 2 digital indicators (digit height 12.4 mm) for current/voltage
- current limiting indicator: 1 red LED
- changeover switch: U const. / U const. external, with mode indicator 1 green LED
- supply U-const. external: (0 - 10 V DC) with two 4-mm safety sockets
- Width: 84 PU

COMPUTER ASSISTED EXPERIMENTS CASSY 2

524013K

Sensor-CASSY 19" module

For connection to the USB-port of a computer
 3-fold electrical isolation (4-mm-inputs A and B, relay R)
 Measurement possible parallel at 4-mm-inputs and sensor box connector sites (4 channels)
 Cascading of up to 8 CASSY module possible (to expand the inputs and outputs)
 Up to 8 analog inputs per Sensor-CASSY retrofittable using sensor boxes
 Automatic sensor box detection (plug and play) by CASSY Lab 2 (524220)
 Microprocessor-controlled with CASSY operating system (easily updatable via software for function enhancements)
 Developer Information and LabVIEW™ driver available through our internet homepage



524220

CASSY Lab2 Software

Improved development of the successful CASSY Lab software for recording and evaluating measurement data acquired using the CASSY family, with comprehensive integrated help functionality and many operable experiment examples



Sensor packet to CASSY

Other Sensor in the physic catalog

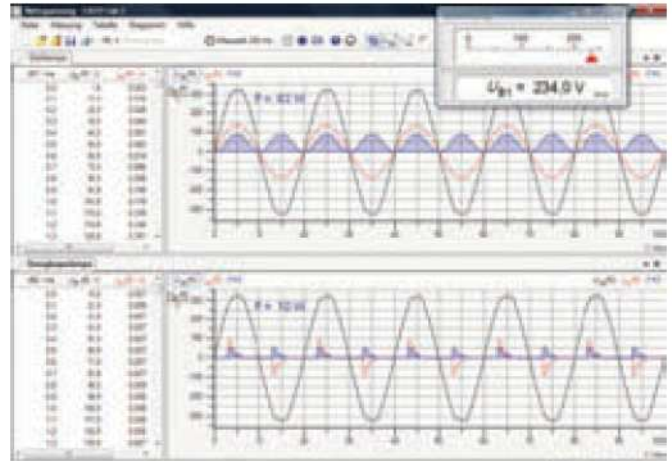
524031	Current supply box	524076	AUTO-BOX i
524043	30 A-box		corequisite:
524044	Temperature sensor S (NTC)	738989	Standard workshop TDC PICK-UP
5240511	Lux Adapter S	738987	Capacitive -TYPE PICK-UP
	corequisite:	524077	AUTO-BOX Z
5240512	Optical power sensor S		corequisite:
524064	Pressure sensor S, ±2000 hPa	738987	Capacitive type pick up
524078	CAN bus box	524081	LIN-bus-box

Sensor CASSY 2 allows direct measurements of mains voltage and current.

The figure shows two measurement series: an incandescent lamp (top) and an energy saving lamp (bottom) each with the corresponding calculation of power consumption (blue).

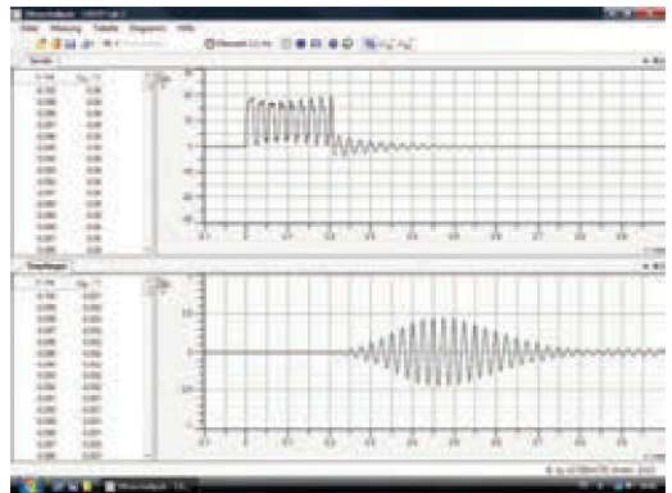
Table and diagram representations as many as desired at the same time by individual windows

CASSY Lab 2 automatically detects the measurement range (auto-range, switchable)



The sampling rate of Sensor CASSY 2 is fast enough to detect ultrasonic pulses. The figure shows the signal of a transmitter using a pre-trigger of $100 \mu\text{s}$ at a sampling rate of about 1 MHz. The received echo signal is delayed by approximately $200 \mu\text{s}$.

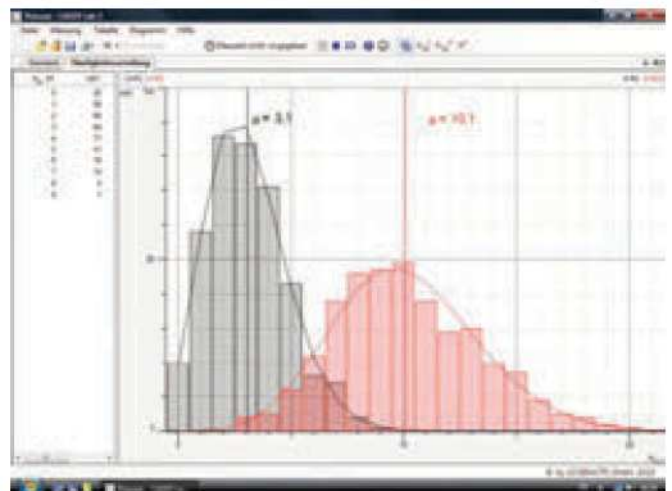
Parallel usage of Sensor-CASSY, Pocket-CASSY, Joule- and wattmeter, etc.
Only one clearly structured window for all software and hardware settings



CASSY Lab 2 plots histograms and integrals with transparent Areas. The figure shows that a Poisson distribution recorded with higher average values is approaching the Gaussian distribution

Analyses will be depicted while marking a relevant data region and are updated automatically, e.g. by recording a histogram

Free choice of colours for all curves in all diagrams, transparent areas for integrals and histograms



BLANK PANEL 3HE, ACCESSORIES

Blank Panel 3HE



725560	Blank Panel	7 TE
725561	Blank Panel	14 TE
725562	Blank Panel	21 TE
725563	Blank Panel	28 TE
725564	Blank Panel	35 TE
725565	Blank Panel	42 TE
725566	Blank Panel	63 TE
725567	Blank Panel	84 TE

725026

CM Mains connection cable

For rear side mounting in the channel module housing, when used as power supply channel for the mobile experiment stands or similar.

Channel module, **equipped with:**
 connection cable 2 m, with schuko plug
 Width: 21 PU

725027

CM Mains connection cable cekon

For rear side mounting in the channel module housing, when used as power supply channel for the mobile experiment stands or similar.

Channel module, **equipped with:**
 -connection cable 2 m, with CEE plug 16 A
 Width: 21 PU

725028

CM Accessory: emergency off

Emergency off switch with pull-unlatching device for retro-fitting into three-phase channel, cat. no. 725 004 or the AC current channel, cat. no. 725 005



TABLE HOUSINGS 3HE



All 19" aluminium housings are shell-moulded and light grey lacquered.

Equipped with:

- tilt handle, lockable every 30 degrees
- completely assembled and pre-wired

725571

Softcase 42 PU 230V

Design with mains cable 230 V and Schuko plug for plug-in units 3 HU, 42 PU.
width: 253 mm, height: 137 mm, depth: 300 mm

725575

Softcase 63 PU 2X400V

Design with mains cable 400 V and Cekon plug for up to two plug-in units 3 HU with a total length of 63 PU.
width: 253 mm, height: 137 mm, depth: 300 mm

725572

Softcase 42 PU 400V

Design with mains cable 400 V and Cekon plug for plug-in units 3 HU, 42 PU.
width: 253 mm, height: 137 mm, depth: 300 mm

725577

Softcase 70 PU 2X400V

Design with mains cable 400 V and cekon plug for up to two plug-in units 3 HU with a total length of 70 PU.
width: 390 mm, height: 137 mm, depth: 300 mm

725574

Softcase 63 PU 2X230V

Design with mains cable 230 V and Schuko plug for up to two plug-in units 3 HU with a total length of 63 PU.
width: 360 mm, height: 137 mm, depth: 300 mm

725578

Softcase 84 PU 2X230V

Design with mains cable 230 V and Schuko plug for up to two plug-in units 3 HU with a total length of 84 PU.
width: 466 mm, height: 137 mm, depth: 300 mm

725579

Softcase 84 PU 2X400V

Design with mains cable 400 V and Cekon plug for up to two plug-in units 3 HU with a total length of 84 PU.
width: 466 mm, height: 137 mm, depth: 300 mm

STANDARD CHANNELS

Power supply channel for supplying mobile experiment stands.



All channels are built-of lacquered sheet-metal side walls, base and cover profiles made of aluminium, colour: RAL 7035 light grey.

Equipped with:

- key switch 0/I
- switch-on control lamp
- fault current circuit breaker 30 mA
- 2 x 3-fold Schuko sockets

Width: 1189 mm, Depth: 228 mm, Height: 135 mm

725001

Channel three-phase 1300/S

Power supply channel for supplying mobile experiment stands.

additional equipped with:

- motor protection switch 6...10 A with undervoltage trip
- CEE socket 16 A
- 5 x 4 mm safety sockets
- 3 x phase monitor lamps
- mains connection cable 2 m, with CEE plug 16 A

725004

Channel three-phase 1300

Power supply channel for supplying laboratory benches.

additional equipped with:

- motor protection switch 6...10 A with undervoltage trip
- CEE socket 16 A
- 5 x 4 mm safety sockets
- 3 x phase monitor lamps
- accommodates emergency off, cat. no. 725 028

725002

Channel AC 1300/S

Power supply channel for supplying mobile experiment stands.

additional equipped with:

- reverse-polarity indicator lamp L1/N
- automatic cut-out 16 A
- 2 x 3-fold Schuko sockets
- 3 x 4 mm safety sockets
- phase monitor lamp
- mains connection cable 2 m, with Schuko plug

725005

Channel AC 1300

Power supply channel for supplying laboratory benches.

additional equipped with:

- reverse-polarity indicator lamp L1/N
- automatic cut-out 16 A
- 2 x 3-fold Schuko sockets
- 3 x 4 mm safety sockets
- phase monitor lamp
- accommodates emergency off, cat. no. 725 028

Complete power supply unit for variable 3-phase voltage



3-phase voltage 400, 3N

725702

Complete power supply unit for variable 3-phase voltage.

Equipped with:

- mains switch: 4-pole cam switch
- mains voltage: 3 x 400 V ± 10 %, 50 - 60 Hz
- outputs: 3 x 0 - 400 V / 6.3 A, short-term 7 A
- output protection: 3 thermal circuit breakers, 6.5 A
- output through five 4-mm safety sockets, one CEE socket 16 A
- display:
 - 3 flush-fitted moving coil meters for current indication
 - 1 flush-fitted moving coil meter for voltage indication, switchable outer conductor/neutral conductor outer conductor/outer conductor
 - 3 phase control lamps

725332G

Experiment transformer 250/1

Full supply appliance in a 19" casing for experiments with variable transformer voltages, with three taps.

Equipped with:

- mains switch, illuminated
- outputs:
 - 0...250 V/0.8 A AC voltage floating earth
 - 0...42 V/2 A AC voltage floating earth
 - 0...24 V/3 A AC voltage floating earth
 - 0...12 V/6 A AC voltage floating earth
- bridge rectifier 35 A for all ranges
- protection: thermic circuit-breaker 1.2 A in the primary circuit of the output transformer
- Outputs: 8 x 4 mm safety sockets
- Width: 42 PU

725342DG

Low voltage 250/2

Full supply appliance in a 19" casing for DC and AC voltage in the low voltage range.

Equipped with:

- mains switch, illuminated
- outputs are switchable:
 - AC voltage: 0...250 V/2 A floating earth,
 - DC voltage: 0...220 V/2 A floating earth (full-wave rectifier)
- protection: thermal circuit-breaker 2 A
- display: 2 digital indicators of RMS value (digit height 12.4 mm) for indication of current and voltage
- outputs: 2 x 4 mm safety sockets and socket without earthing contact
- Width: 63 PU

TABLE UNITS

725352DG

Extra-low voltage 24/4

Full supply appliance in a 19" casing for DC and AC voltage in the extra-low voltage range.
 Equipped with:
 -mains switch, illuminated
 outputs are switchable:
 - AC voltage: 0...24 V/4 A floating earth,
 - DC voltage: 0...24 V/4 A floating earth (full-wave rectifier)
 - output protection: thermal circuit-breaker 4 A
 - display: 2 digital indicators of RMS value (digit height 12.4 mm) for indication of current and voltage
 - outputs: 2 x 4 mm safety sockets
 Width: 42 PU

725372DG

DC stabilizer 2x30/2.5

Full lab power supply appliance in a 19" casing with two separate and stabilized DC voltage supplies.
 Equipped with:
 -mains switch, illuminated
 -outputs 2 x 0...30 V / 2 x 0,1 ...2.5 A floating earth
 -two independent control units
 -voltages and currents can be adjusted from zero to nominal value
 -residual ripple: 0.7 mA eff. max.
 -current ripple: 0.8 mA eff. max.
 -output: through four 4-mm safety sockets
 -display: 4 digital indicators (digit height 12.4 mm) for current/voltage
 -mode indicator: 4 green LEDs
 -current limiting indicator: 2 red LEDs
 Width: 63 PU

725442DG

Three-phase voltage 400 V/2.5 A

Full supply appliance in a 19" casing for variable 3-phase voltage equipped with:
 -mains switch: 4-pole cam switch
 -mains voltage: 3 x 400 V ± 10 %, 50 - 60 Hz
 -outputs: 3 x 0 - 400 V AC
 1 x 0 - 250V DC (full-wave rectifier)
 2,5 A short-term 3 A
 -output protection 3 A
 -output through five 4-mm safety sockets
 -display: 2 digital indicators (digit height 12.4 mm) for current, L1, L2, L3 switchable and voltage switchable to:
 outer conductor/neutral conductor
 outer conductor/outer conductor
 -3 phase control lamps
 -width 70 PU

725362G

Experiment transformer 24V/2

Full supply appliance in a 19" casing for experiments with variable transformer voltages with three taps.
 Equipped with:
 -mains switch, illuminated
 -outputs:
 0 - 24 V/2 A AC voltage floating ground
 0 - 12 V/4 A AC voltage floating ground
 0 - 6 V/8 A AC voltage floating ground
 0 - 3 V/16 A AC voltage floating ground
 -bridge rectifier 35 A for all ranges
 -output protection: thermal circuit breaker 0.3 A in the primary circuit of the output transformer
 -output: 8 x 4 mm safety sockets
 -width: 42 PU

725432G

Three-phase voltage 10/17.3

Full supply appliance in a 19" casing for extra-low three-phase voltage.
 Equipped with:
 -mains switch: cam switch 3-pole
 -mains voltage: 3 x 400 V ± 10 %, 50...60 Hz
 -outputs: 3 x 17,3 V (delta) floating earth
 3 x 10 V (star) floating earth
 -output protection: 3 x thermal circuit-breaker 5 A
 -outputs: 4 x 4 mm safety sockets
 Width: 42 PU

72572G

Three-phase generator

Electronic three phase generator.
 Full supply appliance in a 19" casing for generating frequency variable extra low three phase voltage.
 Equipped with:
 -illuminated mains switch
 -output voltage:
 0...12 V, 1.5 A Y
 0...21 V, 1.5 A Δ
 short-circuit proof
 -frequency: 50 mHz...500 Hz, adjustable
 -distortion factor: < 1%
 -output through: four 4 mm safety plugs

725579G

Three-phase voltage / Exp. transformer

Full supply appliance in a 19" casing for experiments with variable transformer voltages and for extra-low three-phase voltage.
 Equipped with:
 Variable Transformer with three taps:
 -mains switch, illuminated
 -outputs:
 0...250 V/0.8 A AC voltage floating earth
 0...42 V/2 A AC voltage floating earth
 0...24 V/3 A AC voltage floating earth
 0...12 V/6 A AC voltage floating earth
 -bridge rectifier 35 A for all ranges
 -protection: thermic circuit-breaker 1.2 A in the primary circuit of the output transformer
 -Outputs: 8 x 4 mm safety sockets
 Power supply unit for extra-low three-phase voltage:
 -mains switch: cam switch 3-pole
 -mains voltage: 3 x 400 V ± 10 %, 50...60 Hz
 -outputs: 3 x 17,3 V (delta) floating earth
 3 x 10 V (star) floating earth
 -output protection: 3 x thermal circuit-breaker 5 A
 -outputs: 4 x 4 mm safety sockets
 Width: 84 PU

725862DG

DC motor supply 1KW

Full supply appliance in a 19" casing for measuring characteristics of electrical machines with constant voltage in the power class of up to 1,0 kW.
 19" plug-in unit equipped with:
 mains switch, illuminated
 output: 40 - 250 V / 0 - 10 A, DC voltage and current adjustable, stabilized, short circuit proof
 output: 220 V / 2 A DC (two-way bridge)
 protection: circuit breaker 2 A
 output: through 4 x 4-mm safety sockets
 display: 2 digital indicators (digit height 12.4 mm) for current/voltage
 current limiting indicator: 1 red LED
 changeover switch: U const. / U const. external, with mode indicator
 1 green LED
 supply U-const. external: (0 - 10 V DC) with two 4-mm safety sockets
 Width: 84 PU

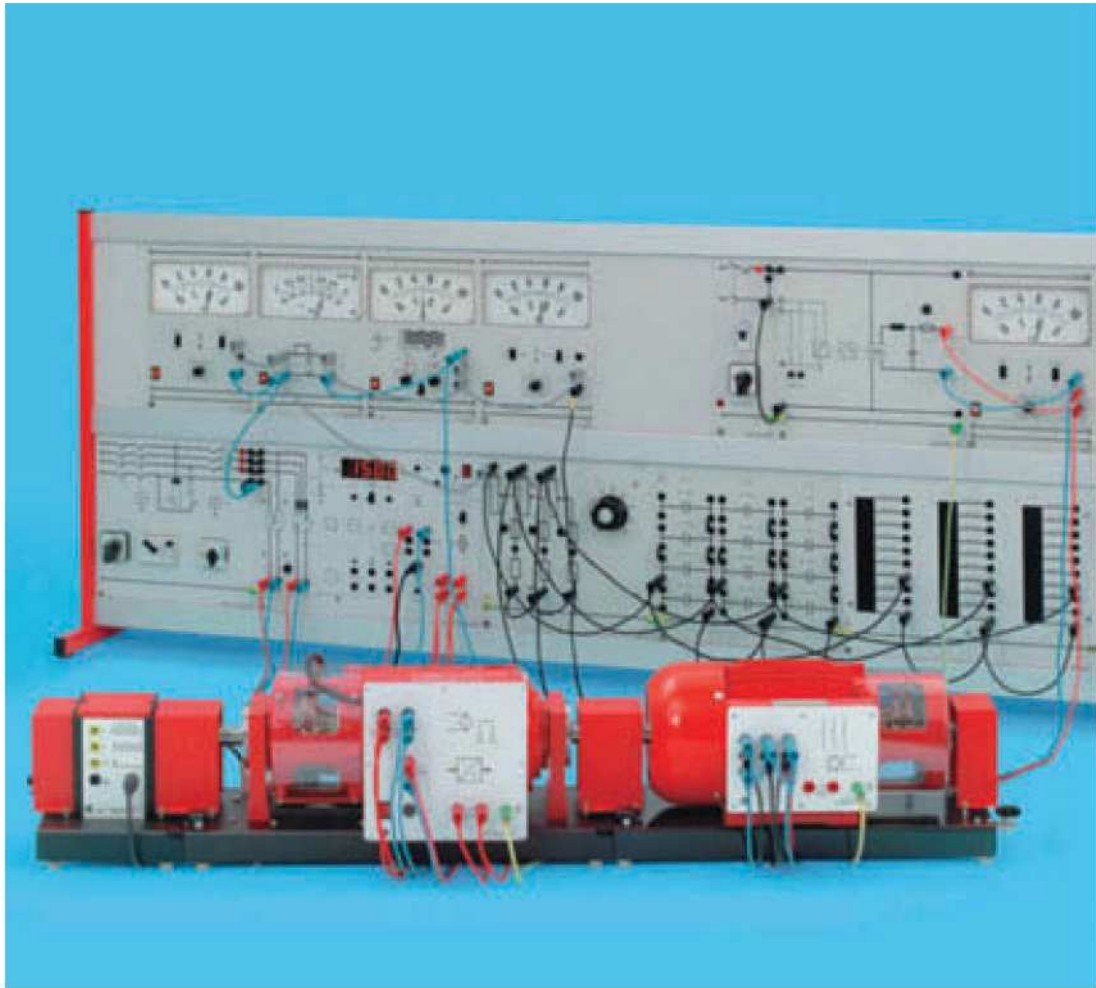
Motor power supply 300W

725852DG



Motor power supply 300W complete

Motor power supply 300W (725852D) mounted in 3H E soft case (725574). With: 63 PU





POWER SUPPLY AND EXPERIMENT UNIT DIN A4

72671

Single-phase supply unit

Camswitch 2-pole
Automatic circuit breaker FAZ L 10 A Phase monitor light L 1
Phase monitor light for indication of false polarity of mains plug
Mains connecting cable with Schuko plug



72672

Single-phase supply unit with RCD

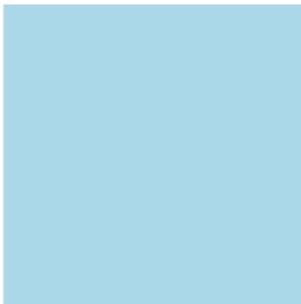
Camswitch 2-pole
Automatic circuit breaker FAZ L 10 A
Phase monitor light L 1
Phase monitor light for indication of false polarity of mains plug
Mains connecting cable with Schuko plug



72674

Three-phase supply unit

Cam switch 4 pole
Automatic circuit breaker FAZ L 10 A, 3fold
Automatic circuit breaker FAZ L 10 A
Phase control lamps L1, L2, L3
Mains cable with Cekon plug



72675

Three-phase supply unit with RCD

Cam switch 4 pole
Fault current circuit breaker 30 mA
Motor protection switch 6-10 A
Phase control lamps L1, L2, L3
Mains cable with Cekon plug



POWER SUPPLY AND EXPERIMENT UNIT DIN A4

72680

Transformer 45/90, 3 N

Power supply and experiment unit for the area of power electronics, equipped with:

Mains switch: cam switch, 3-pole

Mains voltage: 3 x 400 V, $\pm 10\%$, 50...60 Hz

Outputs: 3 x 90 V/1.5 A AC

with 3 center taps 45 V

1 x 230 V/1 A DC

3 thermal magnetic circuit breakers 0.8 A (prim.)

Output: via eighteen 4-mm safety sockets

Connecting cable and Cekon plug 16 A



72683

Universal voltage divider

Compact, multi-functional unit with microcomputer control as a voltage divider for DC and 3-phase AC devices. Also usable for studying turn-on behaviour on any single or three-phase load, such as transformers, cables or electrical machines.

Fixed voltage: 200 V DC

Nominal voltage: 3 x 400 V/1 x 230 V

Nominal frequency: 47 Hz...62 Hz

Continuous current: 3 x 4 A

Peak current ITRM: 3 x 400 A



72685

Adjustable transformer 0...260 V

Instrument for supply and experiments involving electrical machines and the electronics of energy technology, equipped with:

Mains switch:

Mains voltage: 230 V, $\pm 10\%$, 50...60 Hz

Output: 1 x 0 ... 260 V AC

1 x 0 ... 260 V DC

4 A AC; Short term 5 A

1 thermomagnetic instrument safety switch 5 A (sec.)

Output: 2 4-mm safety sockets

with connecting leads and shock-proof plug 16 A



POWER SUPPLY AND EXPERIMENT UNIT DIN A4

72686

DC power supply $\pm 15V/3A$

Laboratory power supply with two separate and stabilized fixed voltages,

equipped with:

Mains switch:

Output voltage: $\pm 15 V DC / 2.4 A$, short-time 3 A

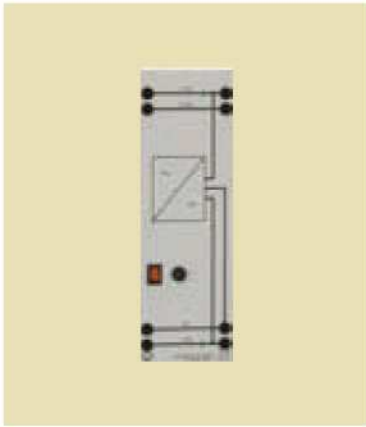
Fixed voltages: stabilized, short circuit proof Output via 4-mm sockets

Nominal voltage monitor: 2 green LED's

Residual ripple: 0.3 mV

Operating temperature range: 0 - 50 °C

Connection voltage: 230 V, 50/60 Hz



72688

AC/DC- stabilizer

Lab power supply unit with DC and AC voltage outputs,

equipped with:

Illuminated mains switch

DC Outputs:

-fixed voltage: 5 V / 3 A floating ground residual ripple: 1 mV RMS

-tracking stabilizer: $\pm 0...15 V / 1 A$ floating ground

residual ripple: < 3 mV RMS

AC Outputs:

-AC voltage: 6/12/24 V / 1 A floating ground

Output: via 4 mm sockets and 6pin DIN-socket

Mains connecting cable with euro plug



726961

Function- generator 200 kHz, 115 V

Microprocessor-controlled signal generator.

Functions: sine/triangular/square-wave/DC

Square-wave signal: duty cycle 10 %...90 %, adjustable in steps of 5 %

Frequency range: 1 Hz...200 kHz

Resolution: 1 mHz...100 Hz, frequency-dependent

Output voltage: 0...20 V_{pp} continuous

DC offset: $\pm 10 V$

Display: 4-digit LC display for signal parameters and functions

Attenuator: 0 dB, -20 dB, -40 dB

Output: Impedance 50 Ohm

Trigger output: TTL level

Output: via 4-mm safety sockets

Supply voltage: 115 V, 60 Hz with mains connection cable and earthing-pin plug



PANEL FRAME

- **Panel frame for set-up on bench top**
Panel frame with L- base for designed for mounting on a laboratory benches or a bench rack 3 HU (L30, L160, L180, L200)
- **Panel frame for channel module housing**
Panel frame with L- base
-Frame for training panels in DIN A4 height, designed for mounting on a channel system 3HU or an energy supply channel (K130, K160, K180, K200)
- **Panel frame, free- standing design**
Panel fram with T- base
-Frame for training panels in DIN A4 height; free- standing design (T130, T150, T160, T180)
- **Panel frame, design with angle**
Panel frame with L- base
-Frame for training panels in DIN A4 height, design with angle, ca. 30° (SL85, SL110)
- **Panel frame, high- load**
-Frame for training panels in DIN A4 height, for high- load (VT160, VT180)



PANEL FRAME L

Panel frame with L-base for set-up on the bench top

One level

- One-level frame for training panels in DIN A4 equivalent height
- Two aluminium profile rails with 2 brush strips
- Two L-bases of rectangular steel tubing
- mounted to bench top with 2 M8 wing screws

L- base

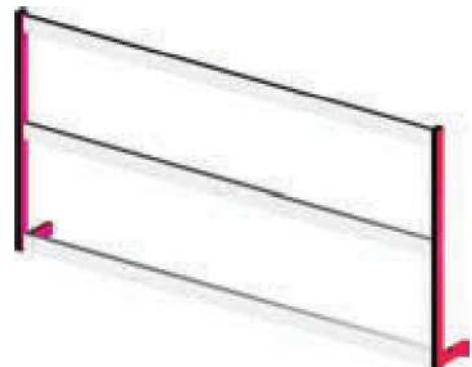


Cat. No.:		Width (mm)	Depth (mm)	Height (mm)
726016	L 160	1550	150	395
72602	L 180	1750	150	395
726028	L 200	1950	150	395

Two level

- Two-level frame for training panels in DIN A4 equivalent height
- Three aluminium profile rails with 2 brush strips
- Two L-bases of rectangular steel tubing
- mounted to bench top with 2 M8 wing screws

L- base

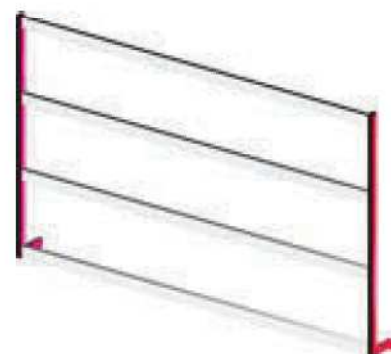


Cat. No.:		Width (mm)	Depth (mm)	Height (mm)
72603	L 130	1242	150	730
726046	L 160	1550	150	730
72605	L 180	1750	150	730
726058	L 200	1950	150	730

Three level

- Three-level frame for training panels in DIN A4 equivalent height
- Four aluminium profile rails with 2 brush strips
- Two L-bases of rectangular steel tubing
- mounted to bench top with 2 M8 wing screws

L- base



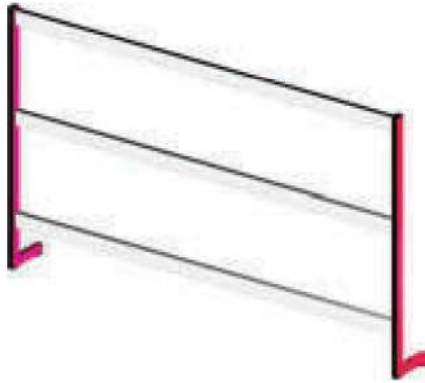
Cat. No.:		Width (mm)	Depth (mm)	Height (mm)
72612	L 130	1242	150	1065
726136	L 160	1550	150	1065
72614	L 180	1750	150	1065
726148	L 200	1950	150	1065



PANEL FRAME K

Panel frame with L-base for channel module housing

L- base



Two level

- Two-level frame for training panels in DIN A4 equivalent height, designed for mounting above a channel system 3HU or an energy supply channel
- Three aluminium profile rails with 2 brush strips
- Two L-bases of rectangular steel tubing
- mounted to bench top with 2 M8 wing screws

Cat. No.:		Width (mm)	Depth (mm)	Height (mm)
726063	K 130	1242	150	861
726076	K 160	1550	150	861
726083	K 180	1750	150	861
726088	K 200	1950	150	861

L- base



Three level

- Three-level frame for training panels in DIN A4 equivalent height, designed for mounting above a channel system 3HU or an energy supply channel
- Four aluminium profile rails with 2 brush strips
- Two L-bases of rectangular steel tubing
- mounted to bench top with 2 M8 wing screws

Cat. No.:		Width (mm)	Depth (mm)	Height (mm)
726153	K 130	1242	150	1195
726166	K 160	1550	150	1195
726173	K 180	1750	150	1195
726178	K 200	1950	150	1195

PANEL FRAME T

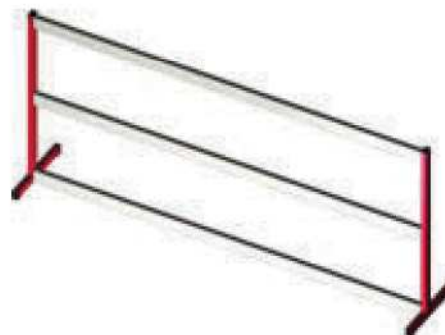
Panel frame with T- base for free- standing

Two level

Tow-level frame for training panels in DIN A4 equivalent height, free-standing design

- Three aluminium profile rails with 2 brush strips
- Tow T-bases of rectangular steel tubing
- width: 1242 mm, height: 730 mm, depth: 300 mm

T- base



Cat. No.:		Width (mm)	Depth (mm)	Height (mm)
72609	T 130	1242	300	730
72610	T 150	1450	300	730
726106	T 160	1550	300	730
72611	T 180	1750	300	730

Three level

-Three-level frame for training panels in DIN A4 equivalent height, free-standing design

- Four aluminium profile rails with 2 brush strips
- Tow T-bases of rectangular steel tubing
- width: 1242 mm, height: 1065 mm, depth: 300 mm

T- base



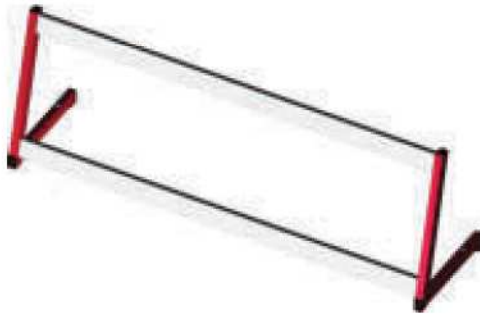
Cat. No.:		Width (mm)	Depth (mm)	Height (mm)
72618	T 130	1242	300	1065



PANEL FRAME SL

Panel Frame SL, design with angle

L- base



One level

- One-level frame for training panels in DIN A4 equivalent height; design with approx. 30° pitched
- Two aluminium profile rails with 2 brush strips
- Two L-bases of rectangular steel tubing
- mounted to bench top with 2 M8 wing screws

Cat. No.:		Width (mm)	Depth (mm)	Height (mm)
72619	SL 85	895	250	380
726191	SL 110	1145	250	380

PANEL FRAME VT

Panel frame VT, reinforced construction

T- base



Three level

- Three-level frame for training panels in DIN A4 equivalent height, for high load
- Four aluminium profile rails with 2 brush strips and reinforced with rectangular steel tubing on the rear side
- Two T-bases of rectangular steel tubing
- mounted to bench top with 2 M8 wing screws

Cat. No.:		Width (mm)	Depth (mm)	Height (mm)
726256	VT 160	1550	300	1090
72626	VT 180	1750	300	1090



EQUIPMENT PLATFORM

72621

Equipment platform 350 mm

Sturdy construction out of lacquered steel plate for integration of measurement instruments and power supply units into the experiment set ups.
-suitable for all panel frames
width: 350 mm, depth: 440 mm



72622

Equipment platform 500 mm

Sturdy construction out of lacquered steel plate for integration of measurement instruments and power supply units into the experiment set ups.
-suitable for all panel frames
width: 500 mm, depth: 440 mm



726241

TFT monitor frame TPS





ASSEMBLY GRIDS

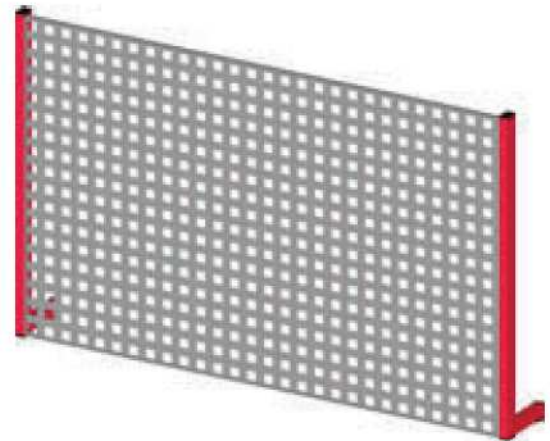
All equipment boards provide:
 steel, powder coated, grid with 5 x 10 mm holes for quick and easy mounting of standard installation equipment with plastic pegs

Assembly grids

- Two L-bases of rectangular steel tubing
- mounted to bench top with 2 M8 wing screws
- colour: RAL 7035 light-grey

L- base

Cat. No.:		Width (mm)	Depth (mm)	Height (mm)
72630	L 130	1242	150	730
72632	L 160	1550	150	730
72633	L 180	1750	150	730

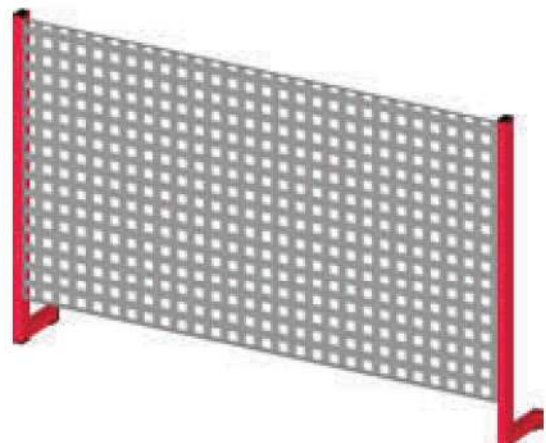


Assembly grids, K

- designed for mounting above an energy supply channel
- Two L-bases of rectangular steel tubing
- mounted to bench top with 2 M8 wing screws
- colour: RAL 7035 light grey

L- base

Cat. No.:		Width (mm)	Depth (mm)	Height (mm)
726345	K 160	1450	150	845
72635	K 180	1750	150	845





ASSEMBLY GRIDS

726375

Assembly grid E 50

- designed for mounting into one, two or three level panelframes
- width: 500 mm, height: 297 mm, depth: 50 mm

726365

Assembly grid E 85

- designed for mounting into one, two or three level panel frames
- width: 850 mm, height: 297 mm, depth: 50 mm

72636

Assembly grid E 130

- designed for mounting into two or three level panel frames from 1242 mm width
- width: 1198 mm, height: 715 mm, depth: 50 mm

72637

Assembly grid E 150

- designed for mounting into two or three level panel frames from 1500 mm width
- width: 1406 mm, height: 715 mm, depth: 50 mm



EQUIPMENT BOARD

858203

Equipment board 1300 mm

-for lab table 1300 mm wide

width: 1300 mm, depth: 350 mm, height: 450 mm



858206

Equipment board 1600 mm

-for lab table 1600 mm wide

width: 1600 mm, depth: 350 mm, height: 450 mm



858208

Equipment board 1800 mm

-for lab table 1800 mm wide

width: 1800 mm, depth: 350 mm, height: 450 mm



858209

Equipment board 2000 mm

-for lab table 2000 mm wide

width: 2000 mm, depth: 350 mm, height: 450 mm







FURNISHINGS PLANNING



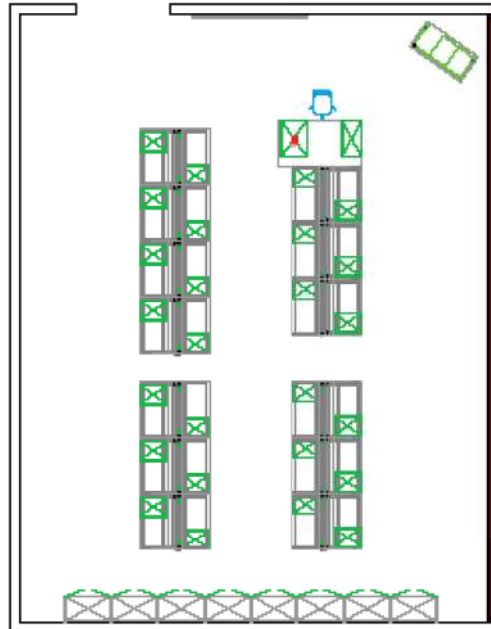
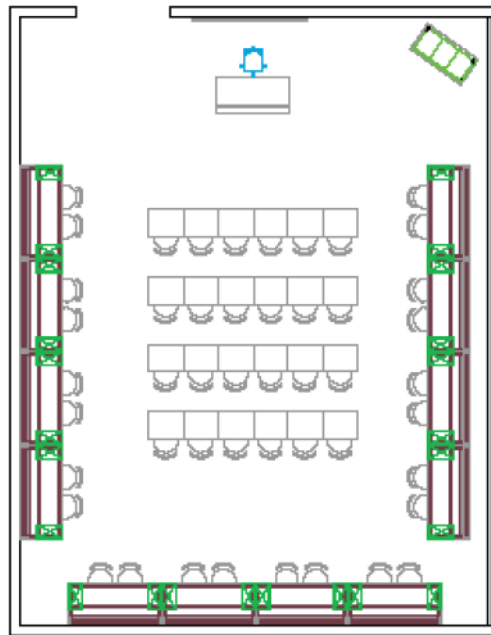
Define the wanted furnishings

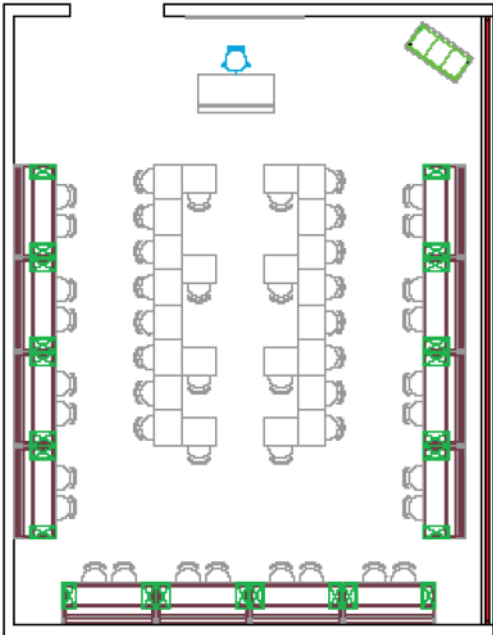
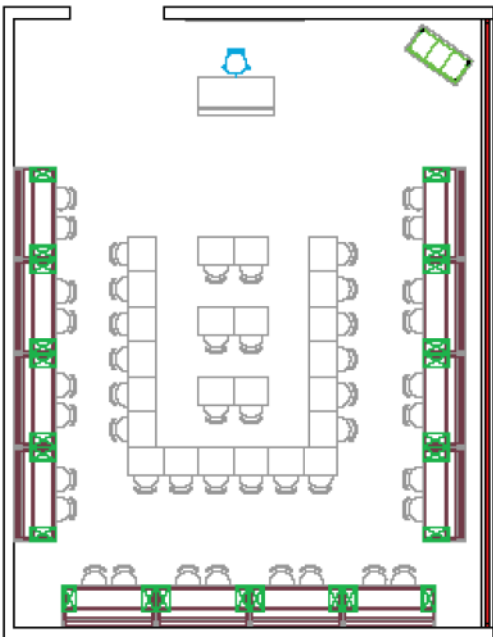
Adjustment of the required equipment to the local possibilities

Installation planning of the necessary connections:

Electrical installation

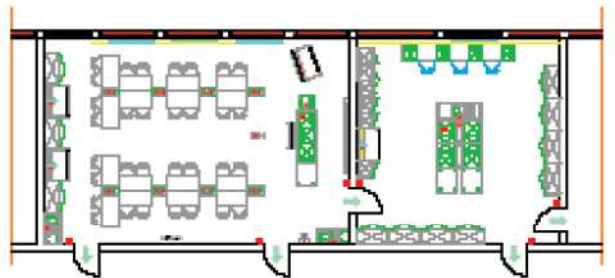
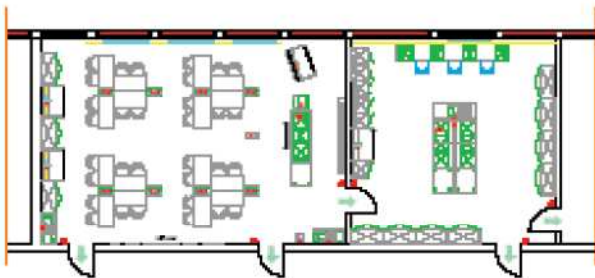
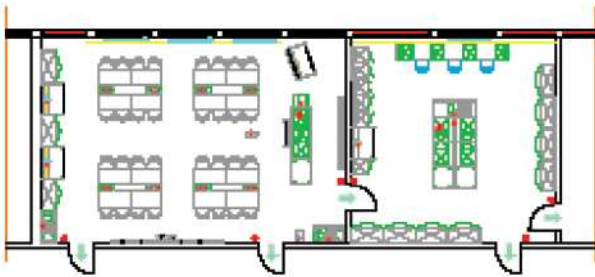
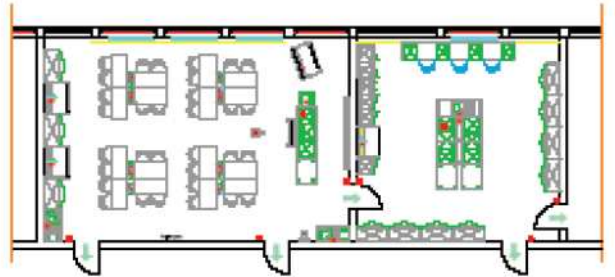
Multimedia installation















NOTES





Systèmes Didactiques s.a.r.l.
Equipement pour l'enseignement expérimental, scientifique et technique
www.systemes-didactiques.fr

Systèmes Didactiques
Savoie Hexapole - Actipole 3 - rue Maurice Herzog
F 73420 Viviers du Lac
Tél : 04 56 42 80 70 Fax : 04 56 42 80 71
xavier.granjon@systemes-didactiques.fr

Génie Mécanique, Génie Thermique, Génie des Procédés, Mécaniques des fluides,
Physique, Chimie, Modèles anatomiques et végétaux, Microscopes, SVT,
Génie électrique, Automatismes, Régulation, Télécommunications,
Energies renouvelables, Solaire, Piles à Hydrogène, Mobilier